

SINCE 1999

**PREMIUM PPR-C PIPE & FITTING SYSTEMS  
TECHNICAL CATALOG**

каталог / كتلوج



**Onur<sup>®</sup>  
Plastik  
O.F.S.**



**50 YEARS WARRANTY**

## ABOUT US



ONUR PLASTIK® has started its business in 1999 and then, as per the rising demands, it decided to start manufacturing pipes and fittings within its own facility. Starting in the middle of the year 2000, ONUR PLASTIK® has continued manufacturing using its own moulds in order to be a significant part of the plumbing sector, standing out from the competitors with its unique product designs. Today the manufacturing continues with a wide range of products, using 175 moulds and 31 different types of materials, where 325 type of products can be produced within its own facilities. ONUR PLASTIK® supply and distributes its manufactured pipes and fittings in the National markets as well as a major quantity to the International markets. ONUR PLASTIK® has its connections in many different countries and exports mainly to the countries spread throughout AFRICA, MIDDLE EAST, EUROPE, LATIN AMERICA, and expanding rapidly. The diversified, experienced and highly skilled team has enabled ONUR PLASTIK® to grow and achieve all the success it has in the business and with them it aims to achieve new heights in the building material sector.

### Our Mission

Our mission is to update the product range and technology to continue being a part of the plastic sector whose technologies are developed constantly. To increase the market share and have a broader range of products that are of superior quality in the near future without compromising our quality policies.

### Our Vision

Our vision is to increase the market share nationally and internationally and to become a worldwide brand amongst the installation devices markets by improving the distributing system, as soon as possible.

حول اونور بلاستيك:

من عراقة الاجداد الى الاحفاد أخذنا بعين الاعتبار التقدم والتكنولوجيا الحديثة للوصول الى ارقى المنتجات التي تضمن الصحة والسلامة والجودة العالمية بخبرات تركية تمتد من الاجداد الى الاحفاد حيث نستخدم ارقى التقنيات العالمية لضمان الحصول على افضل النتائج التي تؤمن الحياه الصحية لابنائنا من خلال تصنيع ال بي بي آر والانابيب

منذ عام 1999 بدأنا بوضع حجر الاساس لمصنع انور بلاستيك فمنذ ذلك الحين ونحن نسعي جاهدين للوصول الى احدث التقنيات في الانتاج حيث بدأنا بالسوق المحلي وبعد مرور اقل من 3 اعوام انطلقنا الى عدد كبير من دول العالم فمنذ ذلك الحين بدأنا بتصنيع منتجاتنا الخاصة بقوالبنا حيث نوفر اكثر من 175 قالب و ننتج اكثر من 325 نوع و نقوم الان بالتوزيع في السوق المحلية والسوق الدولية لتصل منتجاتنا الان الى اكثر من 15 دولة على مستوى العالم.

مهمتنا:

الوصول الى ارقى و احدث تقنيات التكنولوجيا العالمية للحصول على اعلي مستوي من الجودة والتميز

رؤية:

نطمح بالوصول بمنتجاتنا الى اسواق عالمية أكبر حيث نتعامل الان مع عدة دول من خلال وكلاء وموزعين معتمدين على مستوى العالم.

## О нас



Onur Plastik образовалась в 1999 году, и выполняла функцию контрактного производителя для крупных фабрик. Затем в 2000-годах, учитывая возрастающий спрос на продукцию, руководство увеличивает производственные мощности до 175 различных прессформ полипропиленовых фитингов и поставляет на рынок ассортимент в 325 полипропиленовых фитингов. На сегодняшний день Onur Plastik сотрудничает с фирмами, как на внутреннем турецком рынке, так и зарубежом. В особенности это арабские страны, Казахстан и Болгария.

### Наша миссия

Одной из основных задач и стратегических козырей нашей компании является строгое соблюдение стандартов и рентабельности производства в условиях постоянного развития технологии пластиковых изделий. В результате детального контроля каждого изделия на выходе, довольно большого количества прессформ полипропиленовых фитингов, Onur Plastik является конкурентоспособным как по количеству, так и по качеству изделий.

### Наше видение

Постоянное развитие обоюдно выгодных отношений с настоящими партнерами и увеличение доли на рынке полипропиленовых труб и фитингов. Дальнейшее развитие системы международных поставок изделий, налаживание контактов с дилерами и повышение имиджа Onur Plastik.

TAŞKİM PLASTİK was established in 2010 by using its own knowledge and experience gained from the production of PPR-C materials, to provide the best quality raw materials for its own production facility and also for all its partners around the world.

TAŞKİM PLASTİK was founded by Mr. Adnan Akay, who is also the founder of ONUR PLASTİK® Pipes and Fittings systems, which is focused on the production of plastic pipes and fittings for TAŞKİM PLASTİK.

TAŞKİM PLASTİK directly delivers the need of the raw materials of its customers by containers and trucks, as well as it has a huge warehouse located in Sefakoy, Istanbul, to ensure the continuous availability and supply of the raw materials and the services.

Our founding principles are all focused on the satisfaction of our customers' needs through all means; providing them complete information of raw materials, technical characteristics, market dynamics, etc. and thus, making strong, reliable and stable co-operation with our partners.

## WHY YOU CHOSE US?

Being one of the well-known firms of the plastic sector, in many countries, ONUR PLASTİK® gives utmost importance to the premium quality and;

- Uses the most appropriate and superior quality raw material.
- Has the most advanced machines and methods of production.
- Produces Pipes and fittings in compliance with Turkish (TSE), Germany (DIN) Standards, etc.
- Pipes and fittings produced can be used not only to carry water but also a wide range of fluids.
- Has qualified technical staff at your service to solve your problems.
- Our name stands for Quality.

## WHY PPR-C SYSTEMS ?

Onur Pipe has got the following advantages:

- Lightweight,
- Easy to carry,
- Easy to install,
- Not dangerous to human life, non toxic, non cancerogeneous,
- Low cost of transportation, loading and unloading,
- Has much longer service life as compared to other piping systems,
- Has high resistance against corrosion,
- Can easily be connected to any kind of pipe. Due to low cost of plumbing, it has a wide range of applications,
- Water is one of the most important compounds contributing to human life; Onur PPR-C Pipes carry this vital Fluid in your households in an easy, and healthy way at the most affordable cost.

## TECHNICAL PROPERTIES OF PPR-C PIPES AND FITTINGS

- Raw material: Polypropylene Random Copolymer, (TYPE 3)
- Superior physical characteristics at 90 °C,
- High chemical resistance,
- Definite solutions to calcification and corrosion,
- No bacteria and moss reproduction within the pipes,
- Light, easy to install and low labour cost of installation,
- Safe to use various pressurized liquids and gas,
- No reduction in diameter at the welding points,
- Longer service life, (50 years)
- Isolation is not necessary in the buildings,
- Operation Pressure: 20 Bars at 20 °C and 10 Bars at 90 °C,
- Compared to the metal pipes it expands more and linearly,
- Operation temperature is between 70 °C - 90 °C; it does not absorb water. It can easily be used in hot and humid environment.
- Can be used in drinking water systems and has a quality certificate issued by The Ministry of Health and Hygiene-Institute.



## PHYSICAL & MECHANICAL PROPERTIES OF RAW MATERIAL (PPR-C)

Property		Unit	Test Method	Value
Density at	+23 °C	g/cm <sup>3</sup>	ISO 1183	0,90-0,91
Melt Flow Index	MFR 190/5 MFR 230/2,16 MFR 230 /5	g/10 min g/10 min g/10 min	ISO 1133 ISO 1183 ISO 1183	0,4-0,6 0,2-0,5 0,8-0,13
Volume Flow Index	MVR 230/2,16 MVR 230/5	cm <sup>3</sup> / 10 min cm <sup>3</sup> / 10 min	ISO 1133 ISO 113	0,4 1,75
Yield Stress	50 mm/min	MPa	ISO 527	23-28
Elongation at Yield	50 mm/min	%	ISO 527	>10
Tensile Modulus	Secant	MPa	ISO 527	850
Ball Indentation Hardness	132 N / 30s	N/mm <sup>2</sup>	ISO 2039/1	48
Short Hardenss D	3 sec value		DIN 53505	65
Charpy Impact Strength at	+23 °C 0 °C -30 °C	kJ/m <sup>2</sup> kJm <sup>2</sup> kJ/m <sup>2</sup>	ISO 179/1eU ISO 179/1eU ISO 179/1eU	no failure no failure 43
Charpy Notched Impact Strength at	+23 °C 0 °C -30 °C	kJ/m <sup>2</sup> kJm <sup>2</sup> kJ/m <sup>2</sup>	ISO 179/1eA ISO 179/1eA ISO 179/1eA	22 4 2,5
Vicat Softening Temperature	VST/A50	°C	ISO 306	132
Heat Deflection Temperature	HDT A HDT B	°C °C	ISO 75/1+2 ISO 75/1+2	49 70
Melting Range	-	°C	DSC	145-150
Thermal Conductivity	-	W/mK	DIN 52612	0,24
Coefficient of Linear Thermal Expansion (Average, 20-90 oC)	-	1/K	DIN 53752	1,5.10 <sup>-4</sup>
Surface Resistance	-	Ohm	DIN VDE 0303	>10 <sup>14</sup>

Table 1

## WELDING INSTRUCTIONS

The quality and the life span of any pipe installation depends equally on both the geometric accuracy and the weldings. Connecting pipes and fittings through melting takes just a few seconds. After a few minutes the welded pipe installation is ready to be installed.

You cut the pipe, heat the fitting with the welding machine and then connect the two parts. That's all Fast, without substantial efforts and with wonderful result.

All welded connections are completely safe because when the polypropilene cools down there's no change in its structure, shape or durability.



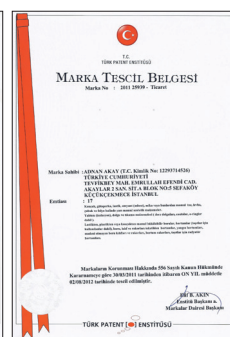
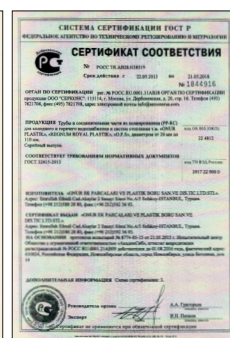
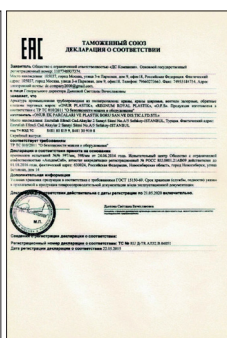
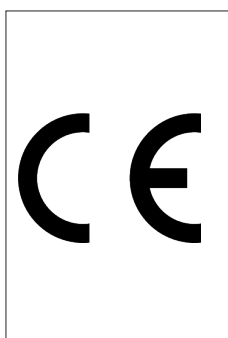


# INSTRUCTIONS FOR WELDING PIPES AND FITTINGS

1. Choose the appropriate detail and put it on the welding machine.
2. Turn on the welding machine. Wait until the two control indicators are heating. When the device is ready for use the indicator turns off. This means that the necessary temperature has been reached /260°C +/- 10°C /
3. Attach properly the end of the pipe and the fitting to the welding device.
4. If the pipe or the fitting is dirty, clean it with water and alcohol solution.
5. Then heat equally for the duration of few seconds both the pipe and the fitting. Then connect them and leave them for a few minutes to cool down so that the welding be successful.
6. The necessary heating time, welding time and cool-down time for each corresponding pipe diameter is shown in the following table.

External Pipe Diameter mm	Insert Depths mm	Heating Perion Secs	Processing Period Secs	Cooling Period mins
16	13	5		
20	14	5	4	2
25	15	7		
32	16,5	8		
40	18	12	6	4
50	20	18		
63	24	24	8	6
75	26	30	10	8

## CERTIFICATES



## Container Information

20ft x 8 ft 6 in / 6.1m x 2.4m x 2.6m					
Average Internal Dimensions			Door Dimensions		Average
L1	B1	H1	B2	H2	(m³)
5,890mm	2,345mm	2,400mm	2,335 mm	2,290mm	33.3

Empty container weight is between 1.800 kg and 2,500 kg  
 Maximum carrying capacity is between gross 22,860 and 30,480 kg

40ft x 8ft x 8ft 6in / 12.2 m x 2.4 m x 2.6m					
Average Internal Dimensions			Door Dimensions		Average
L1	B1	H1	B2	H2	(m³)
12,015 mm	2,345 mm	2,362 mm	2,335 mm	2,260 mm	66.9

Empty container weight is between 3.700 kg and 4,380 kg  
 Maximum carrying capacity is gross 30,480 kg

40ft x 8ft x 9ft 6in / 12.2 m x 2.4 m x 2.9m					
Average Internal Dimensions			Door Dimensions		Average
L1	B1	H1	B2	H2	(m³)
12,015 mm	2,345 mm	2,690 mm	2,335 mm	2,580 mm	76.0

Empty container weight is 3.980 kg  
 Maximum carrying capacity is gross 30,480 kg

Truck Type	L	W	H	m³
Tilt Truck	13,60	2,42	2,40	79
	13,60	2,42	2,60	86

Truck Type	L	W	H	m³
Jumbo Truck	3,10	2,42	2,55	79
	9,10	2,42	2,75	79
	3,50	2,42	2,45	83
	8,70	2,42	2,95	83

Truck Type	L	W	H	m³
Normal Truck with Trailer (Optima)	6,20	2,42	2,50	87
	8,30	2,42	2,50	87

Vehicle Type	Gross Capacity	Gross Loading Capacity Box Type 1 (0,021 m³)	Gross Loading Capacity Box Type 2 (0,032 m³)
20 DC	33,3 m³	1585 units	1040 units
40 DC	66,9 m³	3185 units	2090 units
40 HC	76 m³	3619 units	2375 units
Tilt Truck	79 m³	3761 units	2468 units
Jumbo Truck	80 m³	3809 units	2500 units
Normal Truck with Trailer	87 m³	4142 units	2718 units

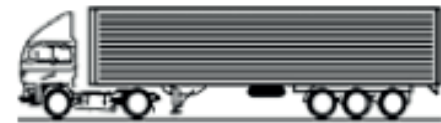
## Standard Container



## 40 Foot Standard Container



## 40 Foot High cube Container





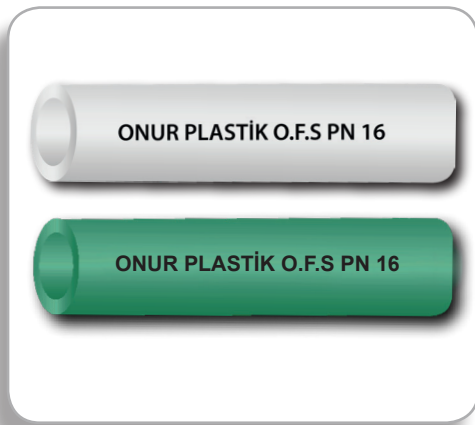
# Onur® Plastik O.F.S.



## PREMIUM PPR-C PIPE & FITTING SYSTEMS







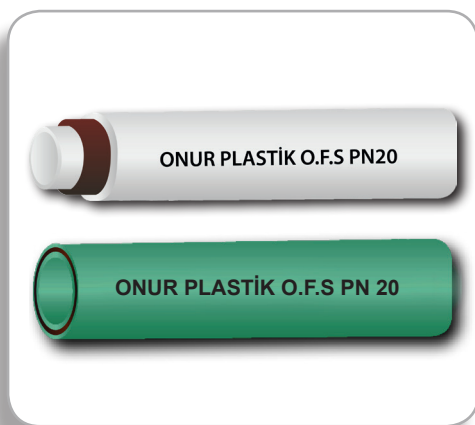
## PPR-C (PN16) BORU / PIPE / ТРУБА

CODE КОД	SIZE (Ø) РАЗМЕР	1 BOX QUANTITY ЕД. В 1 КОРОБКЕ	WEIGHT (kg) ВЕС ЗА ЕД.	BOX SIZE (m <sup>3</sup> ) РАЗМЕР КОРОБ.
4419720	Ø20x2,8mm	140m	0,140	0,051
4419725	Ø25x3,5mm	100m	0,217	0,057
4419732	Ø32x4,4mm	60m	0,350	0,076
4419740	Ø40x5,5mm	40m	0,546	0,092
4419750	Ø50x6,9mm	20m	0,860	0,065
4419763	Ø63x8,6mm	16m	1,347	0,070
4419775	Ø75x10,3mm	12m	1,920	0,070
4419790	Ø90x12,3mm	8m	2,753	0,068
4419711	Ø110x15,1mm	4m	4,147	0,052



## PPR-C (PN20) BORU / PIPE / ТРУБА

CODE КОД	SIZE (Ø) РАЗМЕР	1 BOX QUANTITY ЕД. В 1 КОРОБКЕ	WEIGHT (kg) ВЕС ЗА ЕД.	BOX SIZE (m <sup>3</sup> ) РАЗМЕР КОРОБ.
4420020	Ø20x3,4mm	140m	0,163	0,051
4420025	Ø25x4,2mm	100m	0,251	0,057
4420032	Ø32x5,4mm	60m	0,413	0,076
4420040	Ø40x6,7mm	40m	0,641	0,092
4420050	Ø50x8,4mm	20m	1,014	0,065
4420063	Ø63x10,5mm	16m	1,585	0,070
4420075	Ø75x12,5mm	12m	2,245	0,070
4420090	Ø90x15,0mm	8m	3,235	0,068
4420011	Ø110x18,4mm	4m	4,845	0,052



## PPR-C (PN20) FİBER BORU / COMPOSITE PIPE (GF) ТРУБА АРМИРОВАННАЯ СТЕКЛОВОЛОКНОМ

CODE КОД	SIZE (Ø) РАЗМЕР	1 BOX QUANTITY ЕД. В 1 КОРОБКЕ	WEIGHT (kg) ВЕС ЗА ЕД.	BOX SIZE (m <sup>3</sup> ) РАЗМЕР КОРОБ.
4419820	Ø20x2,8mm	140m	0,160	0,051
4419825	Ø25x3,5mm	100m	0,249	0,057
4419832	Ø32x4,4mm	60m	0,402	0,076
4419840	Ø40x5,5mm	40m	0,627	0,092
4419850	Ø50x6,9mm	20m	0,986	0,065
4419863	Ø63x8,6mm	16m	1,546	0,070
4419875	Ø75x10,3mm	12m	2,200	0,070
4419890	Ø90x12,3mm	8m	3,158	0,068
4419811	Ø110x15,1mm	4m	4,755	0,052



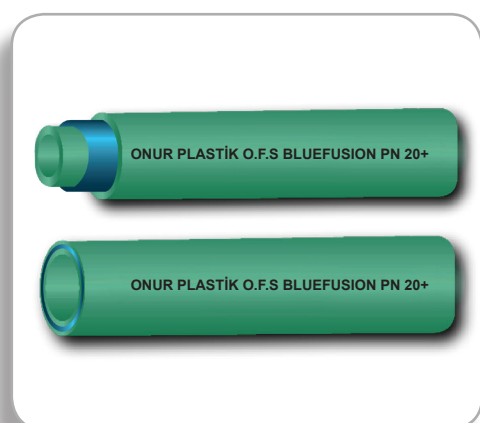
## PPR-C (PN25) FİBER BORU / COMPOSITE PIPE (GF) ТРУБА АРМИРОВАННАЯ СТЕКЛОВОЛОКНОМ

CODE КОД	SIZE (Ø) РАЗМЕР	1 BOX QUANTITY ЕД. В 1 КОРОБКЕ	WEIGHT (kg) ВЕС ЗА ЕД.	BOX SIZE (m <sup>3</sup> ) РАЗМЕР КОРОБ.
4419620	Ø20x3,4mm	140m	0,170	0,051
4419625	Ø25x4,2mm	100m	0,258	0,057
4419632	Ø32x5,4mm	60m	0,415	0,076
4419640	Ø40x6,7mm	40m	0,648	0,092
4419650	Ø50x8,4mm	20m	1,010	0,065
4419663	Ø63x10,5mm	16m	1,566	0,070
4419675	Ø75x12,5mm	12m	2,220	0,070
4419690	Ø90x15,0mm	8m	3,10	0,068
4419611	Ø110x18,4mm	4m	5,45	0,052



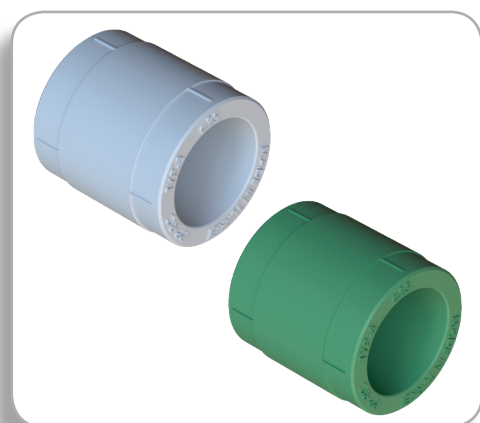
**PPR-C (PN25) AL. FOLYOLU BORU / INSIDE ALM.  
FOLIED PIPE / ТРУБА С АЛ. Ф.**

CODE КОД	SIZE (Ø) РАЗМЕР	1 BOX QUANTITY ЕД. В 1 КОРОБКЕ	WEIGHT (kg) ВЕС ЗА ЕД.	BOX SIZE (m³) РАЗМЕР КОРОБ.
4419920	Ø20x3,4 mm	140 m	0,177	0,051
4419925	Ø25x4,2 mm	100 m	0,268	0,057
4419932	Ø32x5,4 mm	60 m	0,433	0,076
4419940	Ø40x6,7 mm	40 m	0,665	0,092
4419950	Ø50x8,4 mm	20 m	1,027	0,065
4419963	Ø63x12 mm	16 m	1,620	0,070



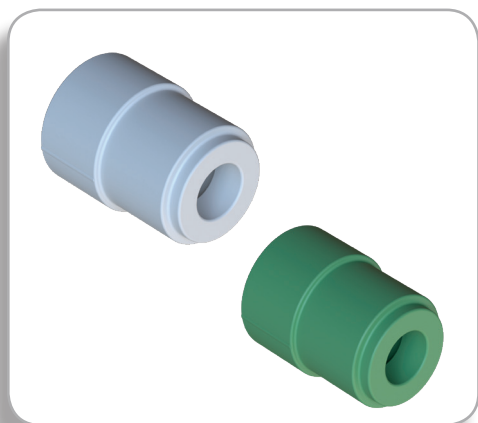
**PPR-C (PN20+) BORU BLUE FUSION / PIPE BLUE  
FUSION / ТРУБА БЛУЕ ФУЖЫН**

CODE КОД	SIZE (Ø) РАЗМЕР	1 BOX QUANTITY ЕД. В 1 КОРОБКЕ	WEIGHT (kg) ВЕС ЗА ЕД.	BOX SIZE (m³) РАЗМЕР КОРОБ.
4419520	Ø20x3,4 mm	140 m	0,163	0,051
4419525	Ø25x4,2 mm	100 m	0,251	0,057
4419532	Ø32x5,4 mm	60 m	0,413	0,076
4419540	Ø40x6,7 mm	40 m	0,641	0,092
4419550	Ø50x8,4 mm	20 m	1,014	0,065
4419563	Ø63x10,5 mm	16 m	1,585	0,070
4419575	Ø75x12,5 mm	12 m	2,245	0,070
4419590	Ø90x15 mm	8 m	3,235	0,068
4419511	Ø110x18,4 mm	4 m	4,845	0,052



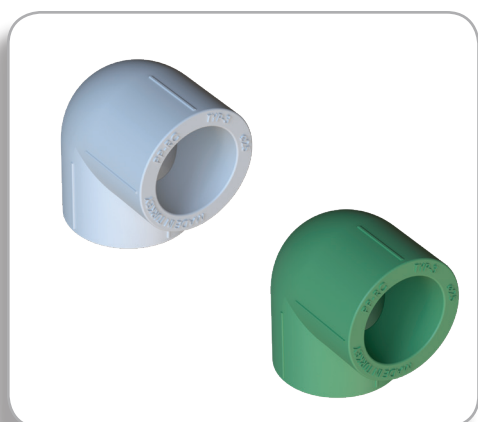
**PPR-C MANŞON / SOCKET / МУФТА**

CODE КОД	SIZE (Ø) РАЗМЕР	1 BOX QUANTITY ЕД. В 1 КОРОБКЕ	WEIGHT (kg) ВЕС ЗА ЕД.	BOX SIZE (m³) РАЗМЕР КОРОБ.
4420120	Ø20 mm	600	0,011	0,032
4420125	Ø25 mm	450	0,016	0,032
4420132	Ø32 mm	225	0,031	0,032
4420140	Ø40 mm	125	0,048	0,032
4420150	Ø50 mm	80	0,078	0,032
4420163	Ø63 mm	48	0,139	0,032
4420175	Ø75 mm	20	0,208	0,032
4420190	Ø90 mm	20	0,280	0,032
4420111	Ø110 mm	12	0,635	0,032



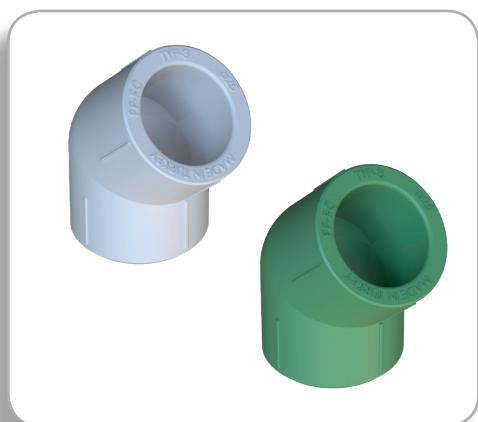
## PPR-C REDÜKSİYON / REDUCTION / ПЕРЕХОДНАЯ МУФТА

CODE КОД	SIZE (Ø) РАЗМЕР	1 BOX QUANTITY ЕД. В 1 КОРОБКЕ	WEIGHT (kg) ВЕС ЗА ЕД.	BOX SIZE (m³) РАЗМЕР КОРОБ.
4420225	Ø25x20mm	800	0,011	0,032
4420232	Ø32x20mm	500	0,016	0,032
4420233	Ø32x25mm	450	0,017	0,032
4420240	Ø40x20mm	350	0,025	0,032
4420241	Ø40x25mm	300	0,025	0,032
4420242	Ø40x32mm	225	0,030	0,032
4420251	Ø50x32mm	160	0,040	0,032
4420252	Ø50x40mm	160	0,047	0,032
4420262	Ø63x32mm	90	0,090	0,032
4420263	Ø63x40mm	80	0,080	0,032
4420264	Ø63x50mm	60	0,100	0,032
4420275	Ø75x32mm	50	0,120	0,032
4420276	Ø75x40mm	50	0,115	0,032
4420277	Ø75x50mm	50	0,130	0,032
4420278	Ø75x63mm	40	0,156	0,032
4420290	Ø90x63mm	32	0,240	0,032
4420291	Ø90x75mm	32	0,281	0,032



## PPR-C (90°) DİRSEK / ELBOW / УГОЛЬНИК

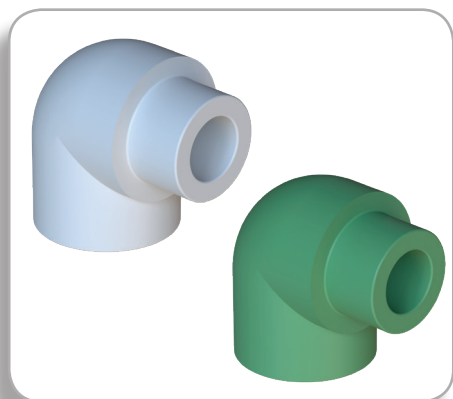
CODE КОД	SIZE (Ø) РАЗМЕР	1 BOX QUANTITY ЕД. В 1 КОРОБКЕ	WEIGHT (kg) ВЕС ЗА ЕД.	BOX SIZE (m³) РАЗМЕР КОРОБ.
4420320	Ø20mm	500	0,015	0,032
4420325	Ø25mm	300	0,022	0,032
4420332	Ø32mm	150	0,040	0,032
4420340	Ø40mm	100	0,066	0,032
4420350	Ø50mm	48	0,123	0,032
4420363	Ø63mm	32	0,262	0,032
4420375	Ø75mm	12	0,392	0,032
4420390	Ø90mm	8	0,780	0,032
4420311	Ø110mm	5	1,268	0,032



## PPR-C (45°) DİRSEK / ELBOW / УГОЛЬНИК

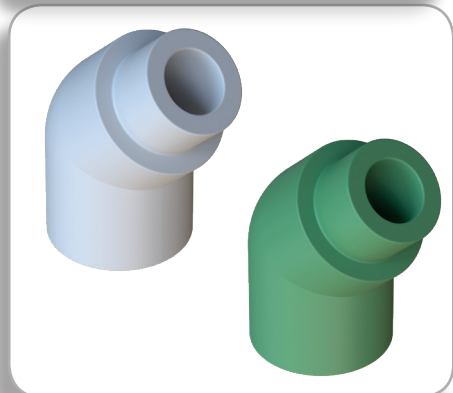
CODE КОД	SIZE (Ø) РАЗМЕР	1 BOX QUANTITY ЕД. В 1 КОРОБКЕ	WEIGHT (kg) ВЕС ЗА ЕД.	BOX SIZE (m³) РАЗМЕР КОРОБ.
4420420	Ø20mm	600	0,012	0,032
4420425	Ø25mm	350	0,017	0,032
4420432	Ø32mm	200	0,030	0,032
4420440	Ø40mm	100	0,067	0,032
4420450	Ø50mm	48	1,081	0,032
4420463	Ø63mm	25	0,233	0,032
4420475	Ø75mm	16	0,392	0,032
4420490	Ø90mm	9	0,557	0,032
4420411	Ø110mm	5	0,895	0,032





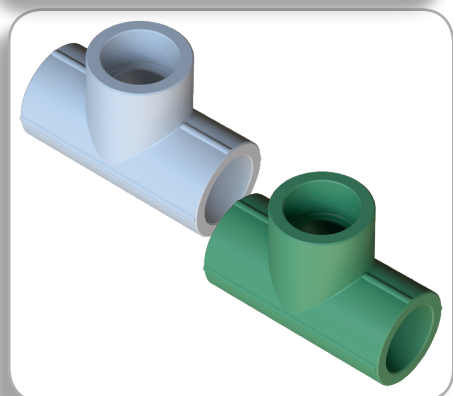
**PPR-C (90°) KUYUKLU DİRSEK**  
**TAILED ELBOW**  
**УГОЛЬНИК ПЕРЕХОДНОЙ ВН. НАР.**

CODE КОД	SIZE (Ø) РАЗМЕР	1 BOX QUANTITY ЕД. В 1 КОРОБКЕ	WEIGHT (kg) ВЕС ЗА ЕД.	BOX SIZE (m³) РАЗМЕР КОРОБ.
4423920	Ø20mm	500	0,017	0,032
4423925	Ø25mm	400	0,022	0,032



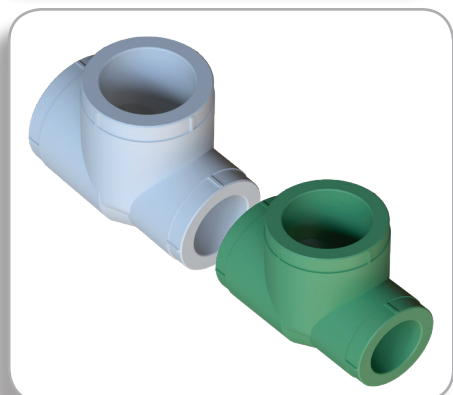
**PPR-C (45°) KUYUKLU DİRSEK / TAILED ELBOW /**  
**УГОЛЬНИК ПЕРЕХОДНОЙ ВН. НАР.**

CODE КОД	SIZE (Ø) РАЗМЕР	1 BOX QUANTITY ЕД. В 1 КОРОБКЕ	WEIGHT (kg) ВЕС ЗА ЕД.	BOX SIZE (m³) РАЗМЕР КОРОБ.
4424020	Ø20mm	500	0,017	0,032
4424025	Ø25mm	400	0,026	0,032



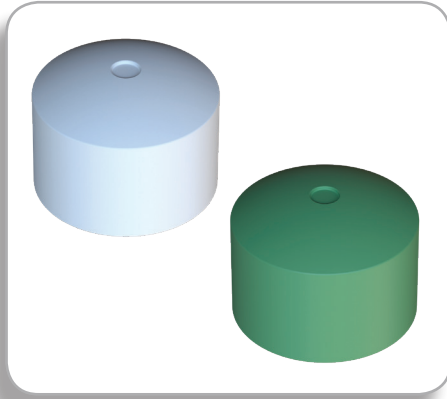
**PPR-C TE PARÇASI / TEE PIECE / ТРОЙНИК**

CODE КОД	SIZE (Ø) РАЗМЕР	1 BOX QUANTITY ЕД. В 1 КОРОБКЕ	WEIGHT (kg) ВЕС ЗА ЕД.	BOX SIZE (m³) РАЗМЕР КОРОБ.
4420720	Ø20mm	350	0,021	0,032
4420725	Ø25mm	200	0,028	0,032
4420732	Ø32mm	100	0,051	0,032
4420740	Ø40mm	60	0,098	0,032
4420750	Ø50mm	32	0,165	0,032
4420763	Ø63mm	20	0,298	0,032
4420775	Ø75mm	12	0,543	0,032
4420790	Ø90mm	8	0,975	0,032
4420711	Ø110mm	4	1,495	0,032



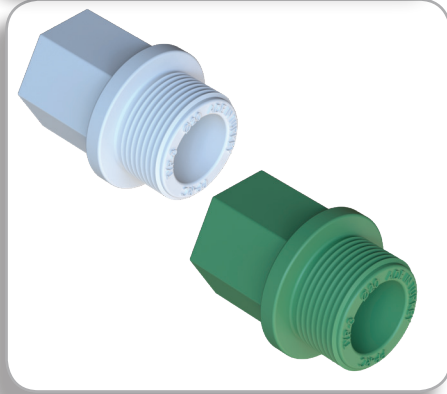
**PPR-C İNEQUAL TE / REDUCTION TEE PIECE / ТРОЙНИК**  
**ПЕРЕХОДНОЙ**

CODE КОД	SIZE (Ø) РАЗМЕР	1 BOX QUANTITY ЕД. В 1 КОРОБКЕ	WEIGHT (kg) ВЕС ЗА ЕД.	BOX SIZE (m³) РАЗМЕР КОРОБ.
4420820	Ø25 x 20 x 20 mm	200	0,034	0,032
4420821	Ø25 x 25 x 20 mm	200	0,034	0,032
4420825	Ø25 x 20 x 25 mm	200	0,031	0,032
4420826	Ø32 x 20 x 20 mm	100	0,071	0,032
4420827	Ø32 x 25 x 20 mm	100	0,067	0,032
4420828	Ø32 x 32 x 20 mm	100	0,064	0,032
4420832	Ø32 x 20 x 32 mm	100	0,060	0,032
4420833	Ø32 x 25 x 32 mm	100	0,063	0,032
4420840	Ø40 x 20 x 40 mm	70	0,091	0,032
4420841	Ø40 x 25 x 40 mm	70	0,105	0,032
4420842	Ø40 x 32 x 40 mm	70	0,091	0,032
4420850	Ø50 x 20 x 50 mm	42	0,250	0,032
4420851	Ø50 x 25 x 50 mm	42	0,242	0,032
4420852	Ø50 x 32 x 50 mm	42	0,225	0,032
4420853	Ø50 x 40 x 50 mm	42	0,208	0,032
4420860	Ø63 x 20 x 63 mm	20	0,392	0,032
4420861	Ø63 x 25 x 63 mm	20	0,378	0,032
4420862	Ø63 x 32 x 63 mm	20	0,368	0,032
4420863	Ø63 x 40 x 63 mm	20	0,360	0,032
4420864	Ø63 x 50 x 63 mm	20	0,345	0,032



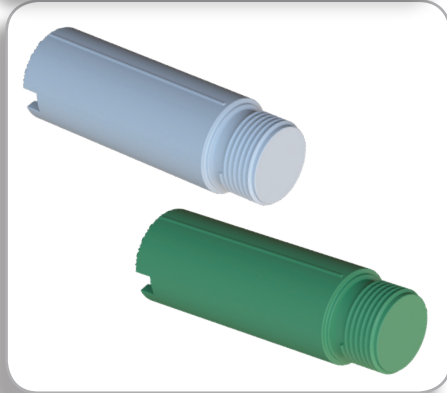
## PPR-C KARAMA BAŞLIĞI / END CAP / ЗАГЛУШКА

CODE КОД	SIZE (Ø) РАЗМЕР	1 BOX QUANTITY ЕД. В 1 КОРОБКЕ	WEIGHT (kg) ВЕС ЗА ЕД.	BOX SIZE (m³) РАЗМЕР КОРОБ.
4420920	Ø20mm	1000	0,008	0,032
4420925	Ø25mm	600	0,015	0,032
4420932	Ø32mm	400	0,019	0,032
4420940	Ø40mm	250	0,030	0,032
4420950	Ø50mm	140	0,048	0,032
4420963	Ø63mm	60	0,106	0,032



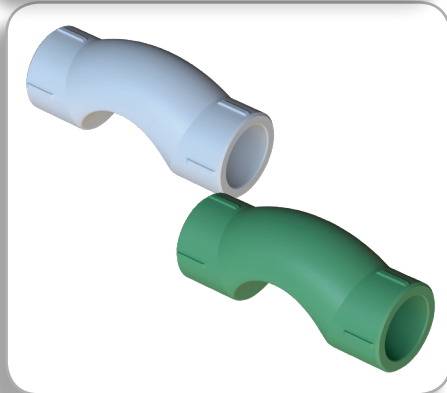
## PPR-C DİŞLİ UZUN KÖR TAPA / LONG BLIND CAP / ЗАГЛУШКА РЕЗБОВАЯ

CODE КОД	SIZE (Ø) РАЗМЕР	1 BOX QUANTITY ЕД. В 1 КОРОБКЕ	WEIGHT (kg) ВЕС ЗА ЕД.	BOX SIZE (m³) РАЗМЕР КОРОБ.
4422220	Ø20mm	900	0,009	0,032
4422225	Ø25mm	900	0,007	0,032
4422232	Ø32mm	500	0,013	0,032



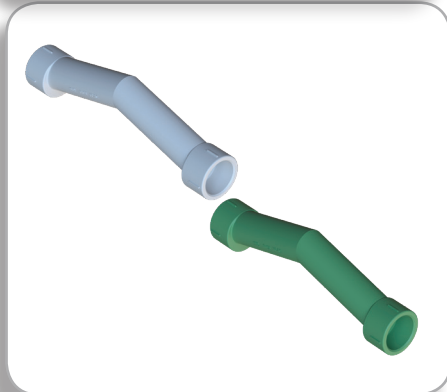
## PPR-C TERAZİ TAPASI / TEST TAP / АГЛУШКА ДЛИННАЯ С РЕЗЬБОЙ.

CODE КОД	SIZE (Ø) РАЗМЕР	1 BOX QUANTITY ЕД. В 1 КОРОБКЕ	WEIGHT (kg) ВЕС ЗА ЕД.	BOX SIZE (m³) РАЗМЕР КОРОБ.
4423820	Ø20 mm	600	0,008	0,032
4423825	Ø20 mm (LONG)	300	0,013	0,032



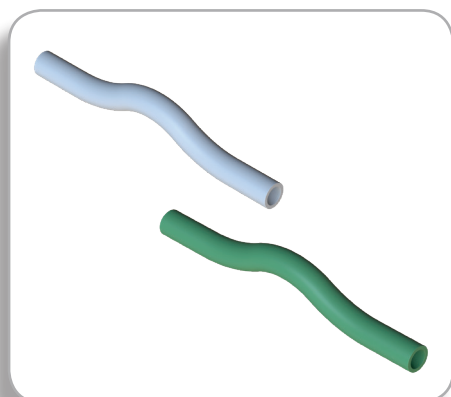
## PPR-C KISA KAVİS C / SHORT CROSSOVER / КОРОТКИЙ ОБВОД

CODE КОД	SIZE (Ø) РАЗМЕР	1 BOX QUANTITY ЕД. В 1 КОРОБКЕ	WEIGHT (kg) ВЕС ЗА ЕД.	BOX SIZE (m³) РАЗМЕР КОРОБ.
4423720	Ø20 mm	250	0,029	0,032
4423725	Ø25mm	150	0,039	0,032
4423732	Ø32 mm	100	0,055	0,032



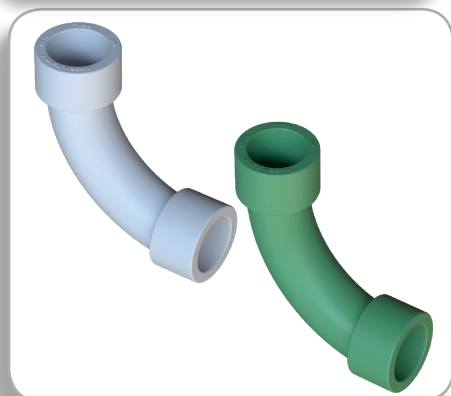
## PPR-C UZUN KAVİS MANŞONLU / LONG CROSSOVER / ОБВОД

CODE КОД	SIZE (Ø) РАЗМЕР	1 BOX QUANTITY ЕД. В 1 КОРОБКЕ	WEIGHT (kg) ВЕС ЗА ЕД.	BOX SIZE (m³) РАЗМЕР КОРОБ.
4420520	Ø20 mm	150	0,034	0,032
4420525	Ø25 mm	90	0,060	0,032
4420532	Ø32 mm	50	0,110	0,032



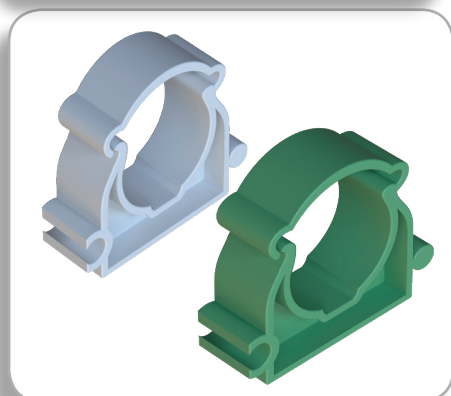
**PPR-C UZUN KAVİS MANŞONSUZ**  
**CROSSOVER LONG WITHOUT SOCKET**  
**ДЛИННЫЙ ОБВОД**

CODE КОД	SIZE (Ø) РАЗМЕР	1 BOX QUANTITY ЕД. В 1 КОРОБКЕ	WEIGHT (kg) ВЕС ЗА ЕД.	BOX SIZE (m³) РАЗМЕР КОРОБ.
4427020	Ø20 mm	150	0,034	0,032
4427025	Ø25 mm	90	0,060	0,032
4427032	Ø32 mm	50	0,110	0,032



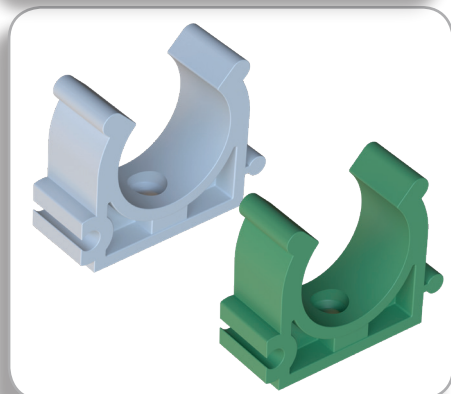
**PPR-C (90°) UZUN DİRSEK / ELBOW LONG /**  
**ДЛИННЫЙ УГОЛЬНИК**

CODE КОД	SIZE (Ø) РАЗМЕР	1 BOX QUANTITY ЕД. В 1 КОРОБКЕ	WEIGHT (kg) ВЕС ЗА ЕД.	BOX SIZE (m³) РАЗМЕР КОРОБ.
4426925	Ø25 mm	90	0,060	0,032



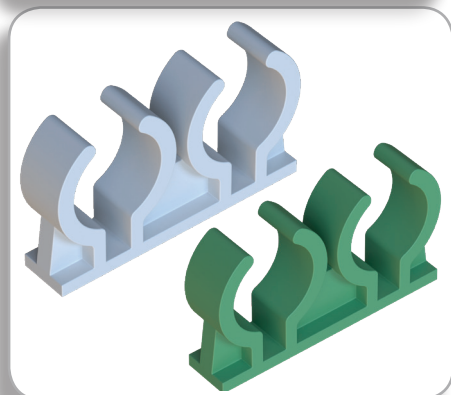
**PPR-C KARAKLI KELEPÇE / SINGLE PIPE CLAMP CAP /**  
**ОПОРА С ЗАЩЕЛКОЙ**

CODE КОД	SIZE (Ø) РАЗМЕР	1 BOX QUANTITY ЕД. В 1 КОРОБКЕ	WEIGHT (kg) ВЕС ЗА ЕД.	BOX SIZE (m³) РАЗМЕР КОРОБ.
4422016	Ø16 mm	1800	0,005	0,032
4422020	Ø20 mm	1600	0,007	0,032
4422025	Ø25 mm	750	0,007	0,032
4422032	Ø32 mm	700	0,010	0,032
4422040	Ø40 mm	400	0,014	0,032
4422050	Ø50 mm	300	0,017	0,032



**PPR-C AÇIK KELEPÇE / SINGLE PIPE CLAMP / ОПОРА**

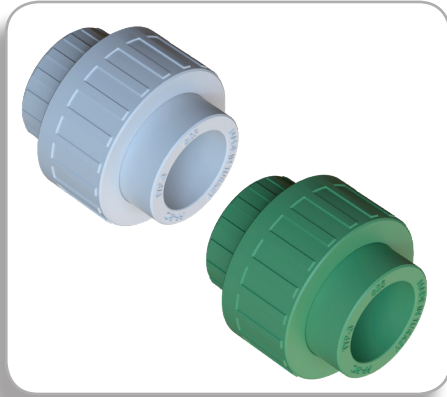
CODE КОД	SIZE (Ø) РАЗМЕР	1 BOX QUANTITY ЕД. В 1 КОРОБКЕ	WEIGHT (kg) ВЕС ЗА ЕД.	BOX SIZE (m³) РАЗМЕР КОРОБ.
4424620	Ø20mm	1200	0,0053	0,032
4424625	Ø25mm	900	0,0062	0,032
4424632	Ø32mm	600	0,0096	0,032



**PPR-C ÇİFTLİ KELEPÇE / DOUBLE PIPE CLAMP /**  
**ДВОЙНАЯ ОПОРА**

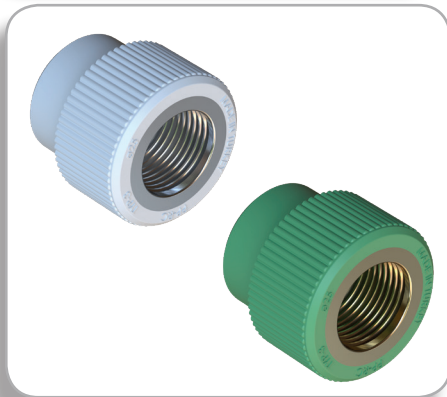
CODE КОД	SIZE (Ø) РАЗМЕР	1 BOX QUANTITY ЕД. В 1 КОРОБКЕ	WEIGHT (kg) ВЕС ЗА ЕД.	BOX SIZE (m³) РАЗМЕР КОРОБ.
4422120	Ø20 mm	600	0,010	0,032
4422122	Ø22 mm	600	0,010	0,032
4422125	Ø25 mm	500	0,012	0,032
4422127	Ø27 mm	500	0,012	0,032
4422132	Ø32 mm	300	0,016	0,032





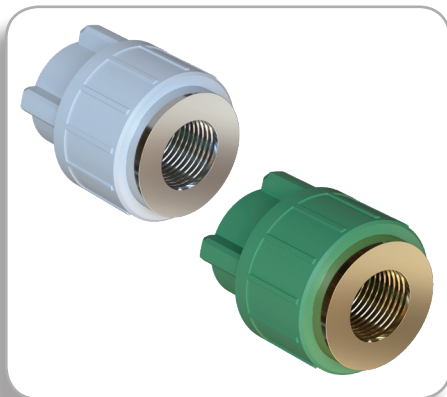
**PPR-C ÇİFT TARAFLI PLASTİK OYNAR**  
**DOUBLE SIDED ADAPTOR PLS**  
**ПЛАСТИКОВАЯ РАЗЪЕМНАЯ МУФТА**

CODE КОД	SIZE (Ø) РАЗМЕР	1 BOX QUANTITY ЕД. В 1 КОРОБКЕ	WEIGHT (kg) ВЕС ЗА ЕД.	BOX SIZE (m <sup>3</sup> ) РАЗМЕР КОРОБ.
4426620	Ø20 mm	200	0,035	0,032
4426625	Ø25 mm	200	0,041	0,032
4426632	Ø32 mm	100	0,061	0,032



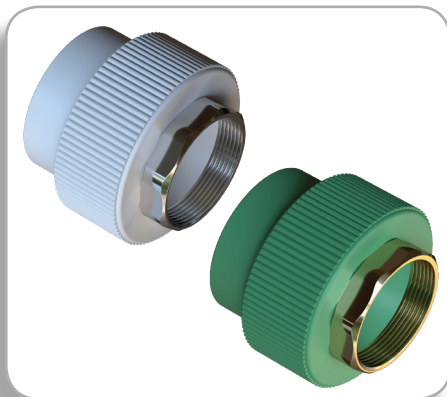
**PPR-C İÇ DİŞLİ REKOR / FEMALE ROUND ADAPTER**  
**МУФТА КОМБИНИРОВАННАЯ С ВН./Р.**

CODE КОД	SIZE (Ø) РАЗМЕР	1 BOX QUANTITY ЕД. В 1 КОРОБКЕ	WEIGHT (kg) ВЕС ЗА ЕД.	BOX SIZE (m <sup>3</sup> ) РАЗМЕР КОРОБ.
4421020	Ø20 x 1/2"	300	0,044	0,022
4421021	Ø20 x 3/4"	175	0,057	0,022
4421022	Ø25 x 1/2"	300	0,043	0,022
4421025	Ø25 x 3/4"	175	0,065	0,022
4421026	Ø32 x 1/2"	105	0,086	0,022
4421027	Ø32 x 3/4"	105	0,081	0,022
4421032	Ø32 x 1"	105	0,083	0,022



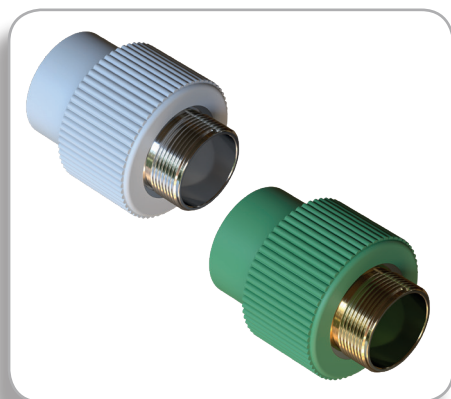
**PPR-C FUSION™ İÇ DİŞLİ REKOR**  
**FUSION™ FEMALE ROUND ADAPTER**  
**FUSION™ МУФТА КОМБИНИРОВАННАЯ**  
**С ВН./Р.**

CODE КОД	SIZE (Ø) РАЗМЕР	1 BOX QUANTITY ЕД. В 1 КОРОБКЕ	WEIGHT (kg) ВЕС ЗА ЕД.	BOX SIZE (m <sup>3</sup> ) РАЗМЕР КОРОБ.
4427620	Ø20 x 1/2"	175	0,060	0,022
4427622	Ø25 x 1/2"	175	0,080	0,022



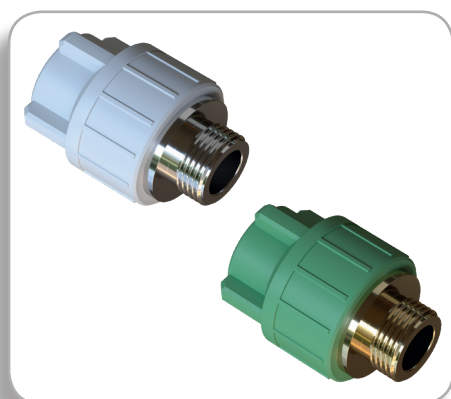
**PPR-C A.K. İÇ DİŞLİ REKOR / HEX. FEMALE ROUND**  
**ADAPTER / МУФТА КОМБИНИРОВАННАЯ ПОД**  
**КЛЮЧ С ВН./Р.**

CODE КОД	SIZE (Ø) РАЗМЕР	1 BOX QUANTITY ЕД. В 1 КОРОБКЕ	WEIGHT (kg) ВЕС ЗА ЕД.	BOX SIZE (m <sup>3</sup> ) РАЗМЕР КОРОБ.
4421132	Ø32 x 1"	90	0,125	0,022
4421140	Ø40 x 1 1/4"	40	0,222	0,022
4421150	Ø50 x 1 1/2"	40	0,264	0,022
4421163	Ø63 x 2"	20	0,559	0,022
4421175	Ø75 x 2 1/2"	12	0,937	0,022
4421190	Ø90 x 3"	12	1,039	0,022



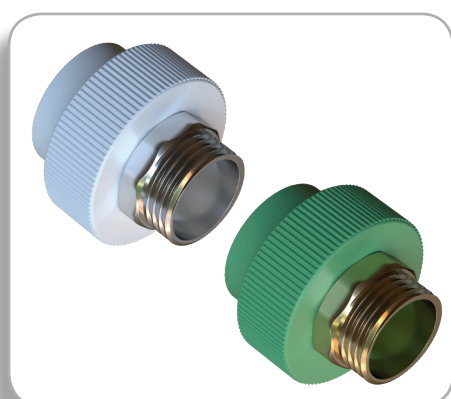
**PPR-C DIŞ DIŞLİ REKOR / MALE ROUND ADAPTER**  
**МУФТА КОМБИНИРОВАННАЯ С НАР./Р.**

CODE КОД	SIZE (Ø) РАЗМЕР	1 BOX QUANTITY ЕД. В 1 КОРОБКЕ	WEIGHT (kg) ВЕС ЗА ЕД.	BOX SIZE (m <sup>3</sup> ) РАЗМЕР КОРОБ.
4421220	Ø20 x 1/2"	250	0,043	0,022
4421221	Ø20 x 3/4"	150	0,060	0,022
4421222	Ø25 x 1/2"	225	0,048	0,022
4421225	Ø25 x 3/4"	150	0,072	0,022
4421226	Ø32 x 1/2"	90	0,092	0,022
4421227	Ø32 x 3/4"	90	0,100	0,022
4421232	Ø32 x 1"	90	0,110	0,022



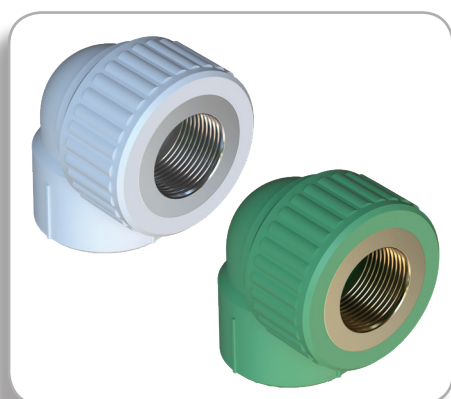
**PPR-C FUSION™ DIŞ DIŞLİ REKOR**  
**FUSION™ MALE ROUND ADAPTER**  
**FUSION™ МУФТА КОМБИНИРОВАННАЯ С НАР./Р.**

CODE КОД	SIZE (Ø) РАЗМЕР	1 BOX QUANTITY ЕД. В 1 КОРОБКЕ	WEIGHT (kg) ВЕС ЗА ЕД.	BOX SIZE (m <sup>3</sup> ) РАЗМЕР КОРОБ.
4427720	Ø20 x 1/2"	150	0,070	0,022
4427722	Ø25 x 1/2"	150	0,091	0,022



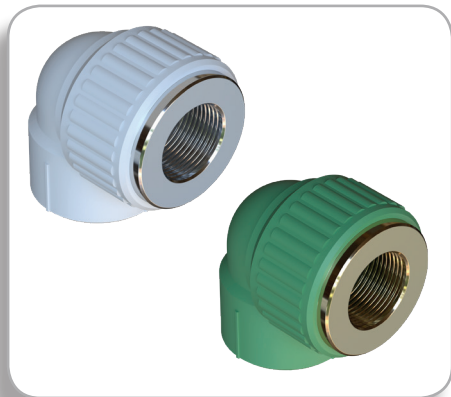
**PPR-C A.K. DIŞ DIŞLİ REKOR / HEX. MALE ROUND ADAPTER / МУФТА КОМБИНИРОВАННАЯ ПОД КЛЮЧ С НАР./Р.**

CODE КОД	SIZE (Ø) РАЗМЕР	1 BOX QUANTITY ЕД. В 1 КОРОБКЕ	WEIGHT (kg) ВЕС ЗА ЕД.	BOX SIZE (m <sup>3</sup> ) РАЗМЕР КОРОБ.
4421332	Ø32 x 1"	90	0,120	0,022
4421340	Ø40 x 1 1/4"	40	0,290	0,022
4421350	Ø50 x 1 1/2"	40	0,325	0,022
4421363	Ø63 x 2"	20	0,558	0,022
4421375	Ø75 x 2 1/2"	12	0,900	0,022
4421390	Ø90 x 3"	12	1,076	0,022



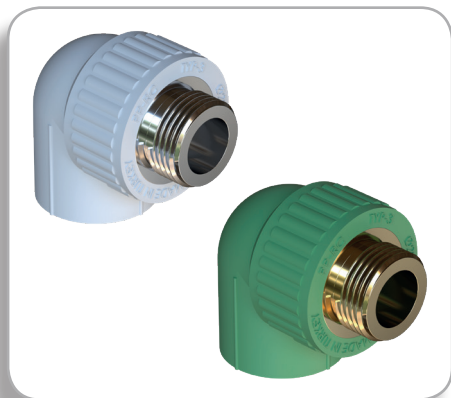
**PPR-C İÇ DIŞLİ DİRSEK / FEMALE ELBOW**  
**УГОЛЬНИК КОМБИНИРОВАННЫЙ ВН./Р.**

CODE КОД	SIZE (Ø) РАЗМЕР	1 BOX QUANTITY ЕД. В 1 КОРОБКЕ	WEIGHT (kg) ВЕС ЗА ЕД.	BOX SIZE (m <sup>3</sup> ) РАЗМЕР КОРОБ.
4421420	Ø20 x 1/2"	175	0,054	0,022
4421421	Ø20 x 3/4"	150	0,080	0,022
44E1422	Ø25 x 1/2"	150	0,050	0,022
4421422	Ø25 x 1/2" (LUX)	150	0,056	0,022
4421425	Ø25 x 3/4"	150	0,078	0,022
4421426	Ø32 x 1/2"	70	0,107	0,022
4421427	Ø32 x 3/4"	70	0,130	0,022
4421432	Ø32 x 1"	70	0,115	0,022



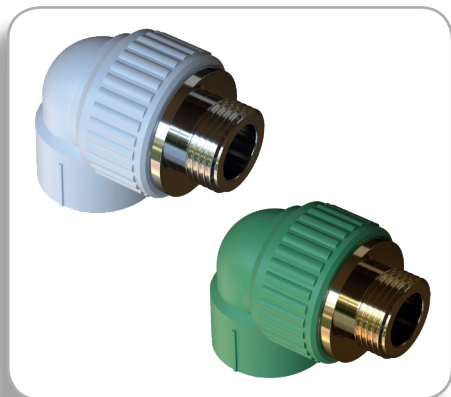
**PPR-C FUSION™ İÇ DIŞLİ DİRSEK**  
**FUSION™ FEMALE ELBOW**  
**FUSION™ УГОЛЬНИК КОМБИНИРОВАННЫЙ**  
**ВН./Р.**

CODE КОД	SIZE (Ø) РАЗМЕР	1 BOX QUANTITY ЕД. В 1 КОРОБКЕ	WEIGHT (kg) ВЕС ЗА ЕД.	BOX SIZE (m <sup>3</sup> ) РАЗМЕР КОРОБ.
4427820	Ø20 x 1/2"	175	0,071	0,022
4427822	Ø25 x 1/2"	150	0,077	0,022



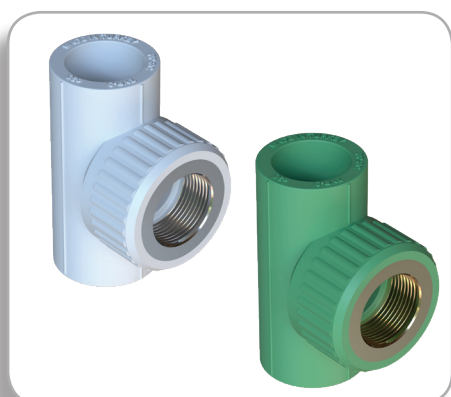
**PPR-C DIŞ DIŞLİ DİRSEK / MALE ELBOW**  
**УГОЛЬНИК КОМБИНИРОВАННЫЙ НАР./Р.**

CODE КОД	SIZE (Ø) РАЗМЕР	1 BOX QUANTITY ЕД. В 1 КОРОБКЕ	WEIGHT (kg) ВЕС ЗА ЕД.	BOX SIZE (m <sup>3</sup> ) РАЗМЕР КОРОБ.
4421520	Ø20 x 1/2"	150	0,064	0,022
4421521	Ø20 x 3/4"	120	0,102	0,022
44E1525	Ø25 x 1/2"	120	0,056	0,022
4421522	Ø25 x 1/2" (LUX)	120	0,064	0,022
4421525	Ø25 x 3/4"	120	0,098	0,022
4421526	Ø32 x 1/2"	60	0,110	0,022
4421527	Ø32 x 3/4"	60	0,145	0,022
4421532	Ø32 x 1"	60	0,155	0,022



**PPR-C FUSION™ DIŞ DIŞLİ DİRSEK**  
**FUSION™ MALE ELBOW**  
**FUSION™ УГОЛЬНИК КОМБИНИРОВАННЫЙ**  
**НАР./Р.**

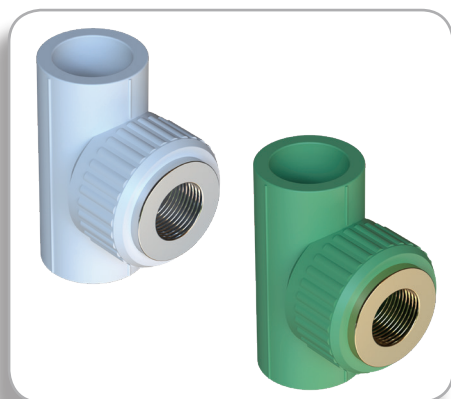
CODE КОД	SIZE (Ø) РАЗМЕР	1 BOX QUANTITY ЕД. В 1 КОРОБКЕ	WEIGHT (kg) ВЕС ЗА ЕД.	BOX SIZE (m <sup>3</sup> ) РАЗМЕР КОРОБ.
4427920	Ø20 x 1/2"	150	0,080	0,022
4427922	Ø25 x 1/2"	120	0,111	0,022



**PPR-C İÇ DIŞLİ TE / FEMALE TEE / ТРОЙНИК**  
**КОМБИНИРОВАННЫЙ ВН./Р.**

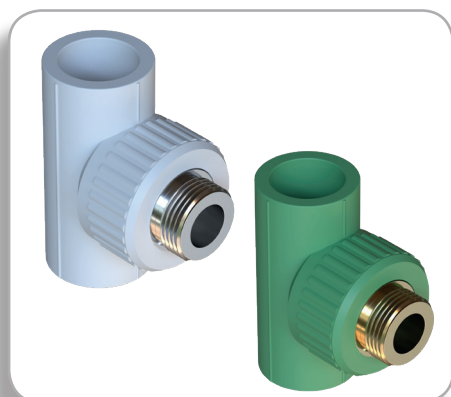
CODE КОД	SIZE (Ø) РАЗМЕР	1 BOX QUANTITY ЕД. В 1 КОРОБКЕ	WEIGHT (kg) ВЕС ЗА ЕД.	BOX SIZE (m <sup>3</sup> ) РАЗМЕР КОРОБ.
4421620	Ø20 x 1/2"	150	0,051	0,022
4421621	Ø20 x 3/4"	100	0,067	0,022
44E1622	Ø25 x 1/2"	100	0,060	0,022
4421622	Ø25 x 1/2" (LUX)	100	0,065	0,022
4421625	Ø25 x 3/4"	100	0,081	0,022
4421626	Ø32 x 1/2"	60	0,116	0,022
4421627	Ø32 x 3/4"	60	0,118	0,022
4421632	Ø32 x 1"	60	0,125	0,022





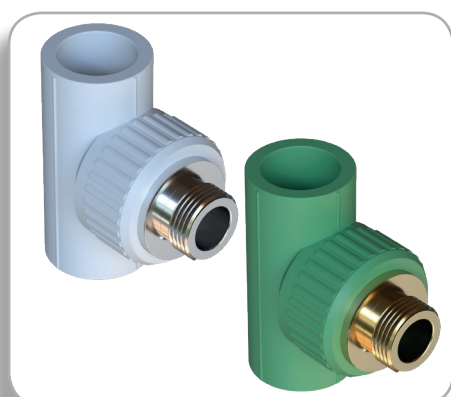
**PPR-C FUSION™ İÇ DİŞLİ TE**  
**FUSION™ FEMALE TEE**  
**FUSION™ ТРОЙНИК КОМБИНИРОВАННЫЙ**  
**ВН./Р.**

CODE КОД	SIZE (Ø) РАЗМЕР	1 BOX QUANTITY ЕД. В 1 КОРОБКЕ	WEIGHT (kg) ВЕС ЗА ЕД.	BOX SIZE (m³) РАЗМЕР КОРОБ.
4428020	Ø20 x 1/2"	150	0,071	0,022
4428022	Ø25 x 1/2"	120	0,101	0,022



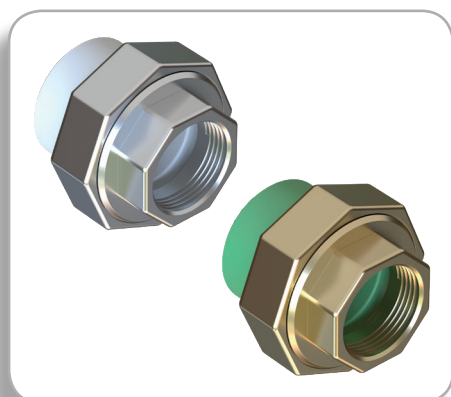
**PPR-C DIŞ DIŞLİ TE / MALE TEE**  
**ТРОЙНИК КОМБИНИРОВАННЫЙ НАР./Р.**

CODE КОД	SIZE (Ø) РАЗМЕР	1 BOX QUANTITY ЕД. В 1 КОРОБКЕ	WEIGHT (kg) ВЕС ЗА ЕД.	BOX SIZE (m³) РАЗМЕР КОРОБ.
4421720	Ø20 x 1/2"	125	0,070	0,022
4421721	Ø20 x 3/4"	100	0,103	0,022
44E1722	Ø25 x 1/2"	100	0,085	0,022
4421722	Ø25 x 1/2" (LUX)	100	0,112	0,022
4421725	Ø25 x 3/4"	100	0,122	0,022
4421726	Ø32 x 1/2"	50	0,135	0,022
4421727	Ø32 x 3/4"	50	0,140	0,022
4421732	Ø32 x 1"	50	0,162	0,022



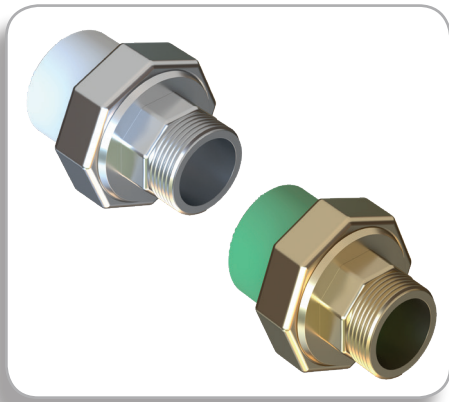
**PPR-C FUSION™ DIŞ DIŞLİ TE**  
**FUSION™ MALE TEE**  
**FUSION™ ТРОЙНИК КОМБИНИРОВАННЫЙ**  
**НАР./Р.**

CODE КОД	SIZE (Ø) РАЗМЕР	1 BOX QUANTITY ЕД. В 1 КОРОБКЕ	WEIGHT (kg) ВЕС ЗА ЕД.	BOX SIZE (m³) РАЗМЕР КОРОБ.
4428120	Ø20 x 1/2"	125	0,090	0,022
4428122	Ø25 x 1/2"	100	0,140	0,022



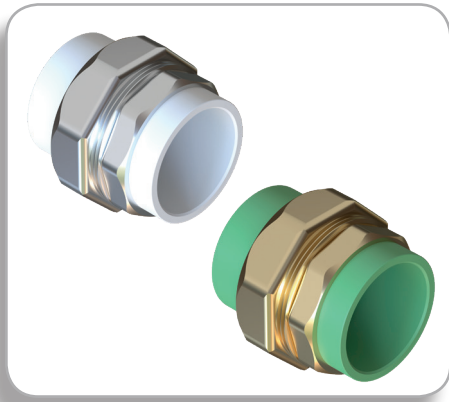
**PPR-C OYNAR BAŞLIKLI İÇ DİŞLİ RAKOR / FEMALE**  
**HEX. CONNECTION / МУФТА КОМБИНИРОВАННАЯ**  
**РАЗЪЕМНАЯ ВН./Р.**

CODE КОД	SIZE (Ø) РАЗМЕР	1 BOX QUANTITY ЕД. В 1 КОРОБКЕ	WEIGHT (kg) ВЕС ЗА ЕД.	BOX SIZE (m³) РАЗМЕР КОРОБ.
4422320	Ø20 x 1/2"	300	0,073	0,022
4422325	Ø25 x 3/4"	200	0,149	0,022
4422332	Ø32 x 1"	120	0,173	0,022
4422340	Ø40 x 1 1/4"	90	0,215	0,022
4422350	Ø50 x 1 1/2"	50	0,360	0,022
4422363	Ø63 x 2"	25	0,690	0,022
4422375	Ø75 x 2 1/2"	15	0,963	0,022
4422390	Ø90 x 3"	8	1,701	0,022



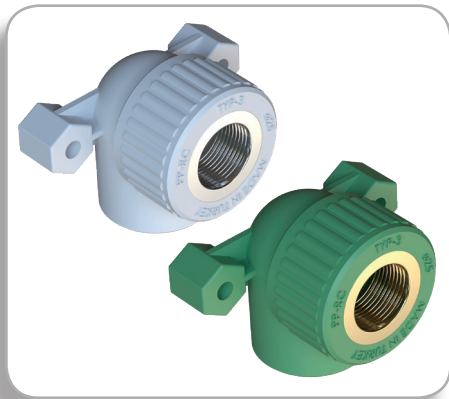
**PPR-C OYNAR BAŞLIKLI DIŞ DIŞLİ RAKOR**  
**MALE HEX. CONNECTION / МУФТА**  
**КОМБИНИРОВАННАЯ РАЗЪЕМНАЯ НАР.Р.**

CODE КОД	SIZE (Ø) РАЗМЕР	1 BOX QUANTITY ЕД. В 1 КОРОБКЕ	WEIGHT (kg) ВЕС ЗА ЕД.	BOX SIZE (m <sup>3</sup> ) РАЗМЕР КОРОБ.
4422420	Ø20x1/2"	300	0,097	0,022
4422425	Ø25x3/4"	175	0,161	0,022
4422432	Ø32x1"	120	0,194	0,022
4422440	Ø40x1 1/4"	70	0,246	0,022
4422450	Ø50x1 1/2"	40	0,411	0,022
4422463	Ø63x2"	20	0,760	0,022
4422475	Ø75x2 1/2"	12	0,960	0,022
4422490	Ø90x3"	8	1,950	0,022



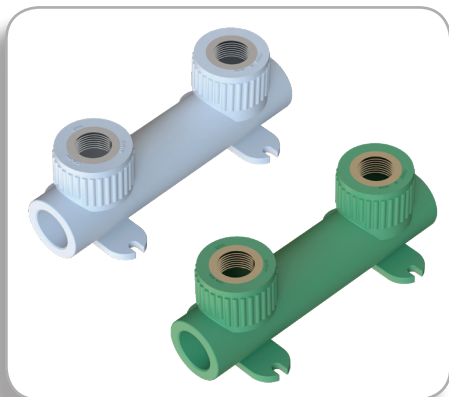
**PPR-C ÇİFT TARAFLI OYNAR BAŞLIKLI RAKOR / DOUBLE**  
**SIDED ADAPTOR / ДВОЙНАЯ РАЗЪЕМНАЯ МУФТА**

CODE КОД	SIZE (Ø) РАЗМЕР	1 BOX QUANTITY ЕД. В 1 КОРОБКЕ	WEIGHT (kg) ВЕС ЗА ЕД.	BOX SIZE (m <sup>3</sup> ) РАЗМЕР КОРОБ.
4422620	Ø20 mm	180	0,109	0,022
4422625	Ø25 mm	140	0,135	0,022
4422632	Ø32 mm	100	0,172	0,022
4422640	Ø40 mm	80	0,268	0,022
4422650	Ø50 mm	50	0,396	0,022
4422663	Ø63 mm	25	0,610	0,022



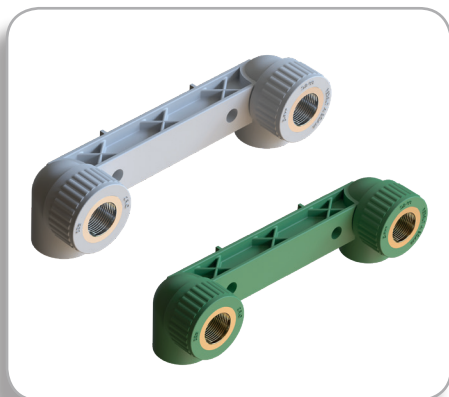
**PPR-C TEKLİ BATARYA BAĞ. / FEMALE BATTERY CONN.**  
**PIECE / УГОЛЬНИК КОМ. С КРЕПЛЕНИЕМ В/Р.**

CODE КОД	SIZE (Ø) РАЗМЕР	1 BOX QUANTITY ЕД. В 1 КОРОБКЕ	WEIGHT (kg) ВЕС ЗА ЕД.	BOX SIZE (m <sup>3</sup> ) РАЗМЕР КОРОБ.
4420620	Ø20 x 1/2"	140	0,070	0,022
4420621	Ø20 x 1/2" DD	120	0,078	0,022
4420622	Ø25 x 1/2"	120	0,073	0,022
4420625	Ø25 x 3/4"	120	0,075	0,022



**PPR-C İÇ DIŞLİ TAHARAT BATARYASI (10,5cm)**  
**FEMALE WC BATTERY CONNECTION / НАСТЕННЫЙ**  
**КОМПЛЕКТ ДЛЯ ГИБКОЙ ПОДВОДКИ**

CODE КОД	SIZE (Ø) РАЗМЕР	1 BOX QUANTITY ЕД. В 1 КОРОБКЕ	WEIGHT (kg) ВЕС ЗА ЕД.	BOX SIZE (m <sup>3</sup> ) РАЗМЕР КОРОБ.
4424920	Ø20 x 1/2"	80	0,080	0,032



**PPR-C (15,5cm) SABİT BATARYA BAĞ. İÇ DİŞ FEMALE DOUBLE BATTERY CON. / НАСТЕННЫЙ КОМПЛЕКТ ДЛЯ СМЕСИТЕЛЯ ВН./Р.**

CODE КОД	SIZE (Ø) РАЗМЕР	1 BOX QUANTITY ЕД. В 1 КОРОБКЕ	WEIGHT (kg) ВЕС ЗА ЕД.	BOX SIZE (m³) РАЗМЕР КОРОБ.
4424120	Ø20x1/2"	50	0,171	0,032
4424122	Ø25x1/2"	50	0,165	0,032



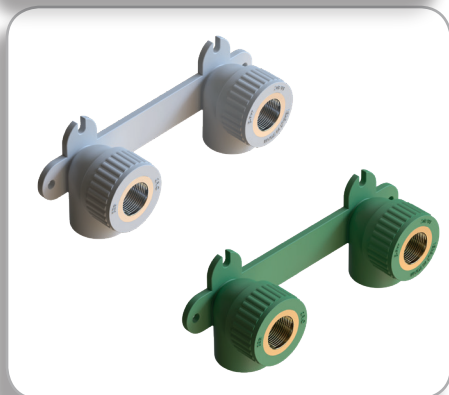
**PPR-C (15,5cm) FUSION™ SABİT BATARYA BAĞ. İÇ DİŞ FUSION™ FEMALE DOUBLE BATTERY CON. FUSION™ НАСТЕННЫЙ КОМПЛЕКТ ДЛЯ СМЕСИТЕЛЯ ВН./Р.**

CODE КОД	SIZE (Ø) РАЗМЕР	1 BOX QUANTITY ЕД. В 1 КОРОБКЕ	WEIGHT (kg) ВЕС ЗА ЕД.	BOX SIZE (m³) РАЗМЕР КОРОБ.
4428620	Ø20x1/2"	50	0,181	0,032
4428622	Ø25x1/2"	50	0,175	0,032



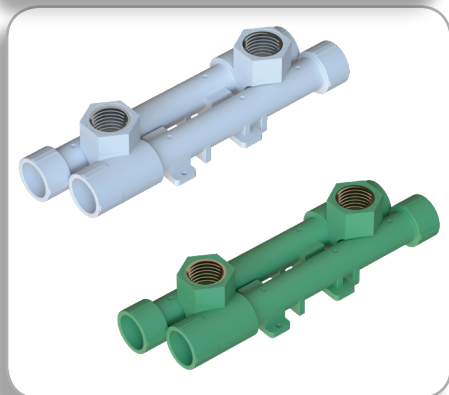
**PPR-C (15,5cm) SABİT BATARYA BAĞ. DİŞ DİŞ MALE DOUBLE BATTERY CON. / НАСТЕННЫЙ КОМПЛЕКТ ДЛЯ СМЕСИТЕЛЯ НАР./Р.**

CODE КОД	SIZE (Ø) РАЗМЕР	1 BOX QUANTITY ЕД. В 1 КОРОБКЕ	WEIGHT (kg) ВЕС ЗА ЕД.	BOX SIZE (m³) РАЗМЕР КОРОБ.
4426820	Ø20x1/2"	50	0,176	0,032
4426822	Ø25x1/2"	50	0,170	0,032



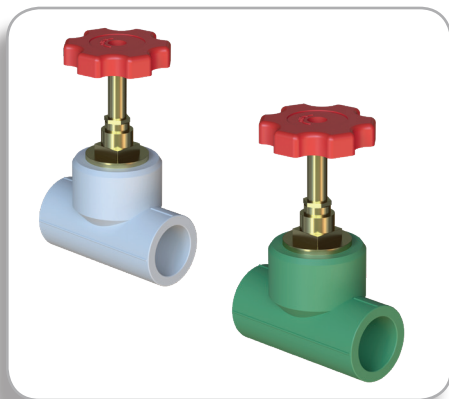
**PPR-C (10,5cm) KISA SABİT BATARYA BAĞ. FEMALE DOUBLE BATTERY CON. / НАСТЕННЫЙ КОМПЛЕКТ ДЛЯ СМЕСИТЕЛЯ КОРОТКИЙ**

CODE КОД	SIZE (Ø) РАЗМЕР	1 BOX QUANTITY ЕД. В 1 КОРОБКЕ	WEIGHT (kg) ВЕС ЗА ЕД.	BOX SIZE (m³) РАЗМЕР КОРОБ.
4425520	Ø20x1/2"	60	0,125	0,032
4425522	Ø25x1/2"	60	0,125	0,032



**PPR-C AYARLI BATARYA BAĞLANTISI / ADJUSTABLE BATTERY CONNECTION / УНИВЕРСАЛЬНЫЙ НАСТЕННЫЙ КОМПЛЕКТ**

CODE КОД	SIZE (Ø) РАЗМЕР	1 BOX QUANTITY ЕД. В 1 КОРОБКЕ	WEIGHT (kg) ВЕС ЗА ЕД.	BOX SIZE (m³) РАЗМЕР КОРОБ.
4423120	Ø20x1/2"	25	0,220	0,022
4423122	Ø25x1/2"	25	0,195	0,022



## PPR-C KELEBEK VANA / STOP VALVE / ВЕНТИЛЬ

CODE КОД	SIZE (Ø) РАЗМЕР	1 BOX QUANTITY ЕД. В 1 КОРОБКЕ	WEIGHT (kg) ВЕС ЗА ЕД.	BOX SIZE (m <sup>3</sup> ) РАЗМЕР КОРОБ.
4421820	Ø20 mm	100	0,147	0,022
4421821	Ø20x3/4 mm	80	0,185	0,022
4421825	Ø25 mm	80	0,178	0,022
4421832	Ø32 mm	50	0,281	0,022
4421840	Ø40 mm	30	0,307	0,022
4421850	Ø50 mm	20	0,334	0,022
4421863	Ø63 mm	10	0,456	0,022



## PPR-C KROMLU EKO LÜKS VANA CHROME ECO VALVE LUX ВЕНТИЛЬ ХРОМИРОВАННЫЙ

CODE КОД	SIZE (Ø) РАЗМЕР	1 BOX QUANTITY ЕД. В 1 КОРОБКЕ	WEIGHT (kg) ВЕС ЗА ЕД.	BOX SIZE (m <sup>3</sup> ) РАЗМЕР КОРОБ.
4421920	Ø20 mm	50	0,317	0,022
4421925	Ø25 mm	40	0,340	0,022
4421932	Ø32 mm	30	0,380	0,022



## PPR-C KROMLU LÜKS VANA CHROME VALVE LUX / ВЕНТИЛЬ ХРОМИРОВАННЫЙ

CODE КОД	SIZE (Ø) РАЗМЕР	1 BOX QUANTITY ЕД. В 1 КОРОБКЕ	WEIGHT (kg) ВЕС ЗА ЕД.	BOX SIZE (m <sup>3</sup> ) РАЗМЕР КОРОБ.
4427120	Ø20 mm	50	0,317	0,022
4427125	Ø25 mm	40	0,340	0,022
4427132	Ø32 mm	30	0,380	0,022



## PPR-C KROMLU DELÜKS VANA / CHROME VALVE DELUX / ВЕНТИЛЬ ХРОМИРОВАННЫЙ

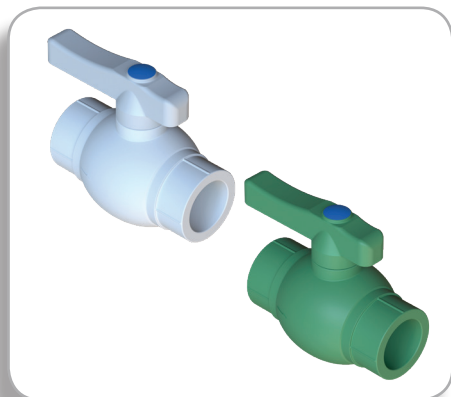
CODE КОД	SIZE (Ø) РАЗМЕР	1 BOX QUANTITY ЕД. В 1 КОРОБКЕ	WEIGHT (kg) ВЕС ЗА ЕД.	BOX SIZE (m <sup>3</sup> ) РАЗМЕР КОРОБ.
4427220	Ø20 mm	50	0,317	0,022
4427225	Ø25 mm	40	0,340	0,022
4427232	Ø32 mm	30	0,380	0,022



## PPR-C KROMLU GİZLİ LÜKS VANA / CHROME HIDDEN VALVE LUX / ВЕНТИЛЬ ХРОМИРОВАННЫЙ

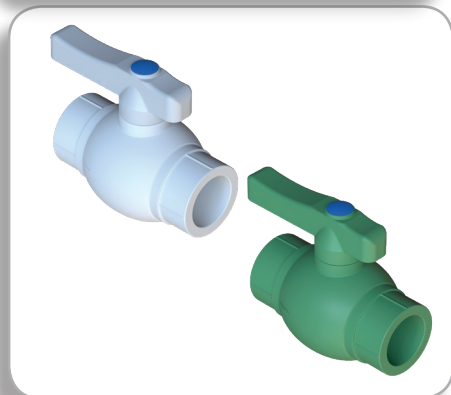
CODE КОД	SIZE (Ø) РАЗМЕР	1 BOX QUANTITY ЕД. В 1 КОРОБКЕ	WEIGHT (kg) ВЕС ЗА ЕД.	BOX SIZE (m <sup>3</sup> ) РАЗМЕР КОРОБ.
4427320	Ø20 mm	50	0,317	0,022
4427325	Ø25 mm	40	0,340	0,022
4427332	Ø32 mm	30	0,380	0,022





## PPR-C KÜRESEL VANA BALL VALVE / ШАРОВОЙ КРАН

CODE КОД	SIZE (Ø) РАЗМЕР	1 BOX QUANTITY ЕД. В 1 КОРОБКЕ	WEIGHT (kg) ВЕС ЗА ЕД.	BOX SIZE (m³) РАЗМЕР КОРОБ.
4422520	Ø20 mm	100	0,107	0,022
4422525	Ø25 mm	80	0,132	0,022
4422532	Ø32 mm	50	0,209	0,022
4422540	Ø40 mm	20	0,437	0,022
4422550	Ø50 mm	20	0,500	0,022
4422563	Ø63 mm	15	0,775	0,022
4422575	Ø75 mm	5	1,118	0,022



## PPR-C ECO. KÜRESEL VANA / BALL VALVE ECO. АЛ. ШАРОВОЙ КРАН

CODE КОД	SIZE (Ø) РАЗМЕР	1 BOX QUANTITY ЕД. В 1 КОРОБКЕ	WEIGHT (kg) ВЕС ЗА ЕД.	BOX SIZE (m³) РАЗМЕР КОРОБ.
44A2520	Ø20 mm	100	0,090	0,022
44A2525	Ø25 mm	80	0,115	0,022
44A2532	Ø32 mm	50	0,155	0,022
44A2540	Ø40 mm	20	0,380	0,022



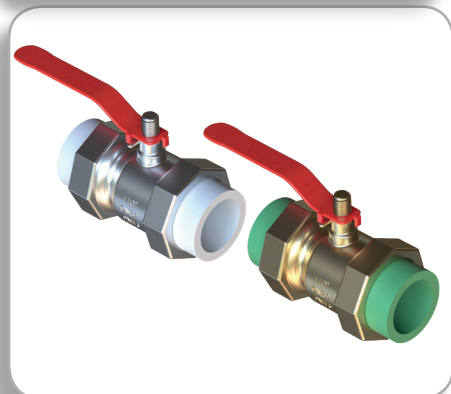
## PPR-C KÖŞE RADYATÖR VANASI / BALL RADIATOR VALVE ELBOW / ШАРОВОЙ КРАН ДЛЯ РАДИАТОРА УГОЛЬНИК

CODE КОД	SIZE (Ø) РАЗМЕР	1 BOX QUANTITY ЕД. В 1 КОРОБКЕ	WEIGHT (kg) ВЕС ЗА ЕД.	BOX SIZE (m³) РАЗМЕР КОРОБ.
4423420	Ø20 x 1/2"	80	0,196	0,022
4423425	Ø25 x 3/4"	60	0,218	0,022



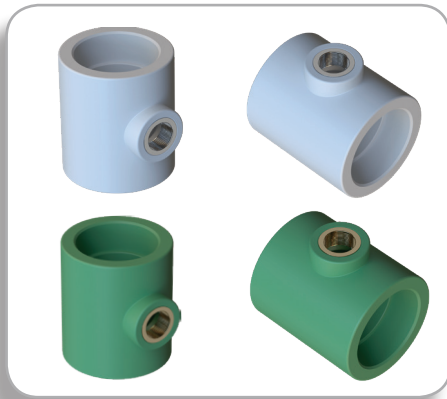
## PPR-C RADYATÖR VANASI DÜZ / BALL RADIATOR VALVE STRAIGHT / ШАРОВОЙ КРАН ДЛЯ РАДИАТОРА ПРЯМОЙ

CODE КОД	SIZE (Ø) РАЗМЕР	1 BOX QUANTITY ЕД. В 1 КОРОБКЕ	WEIGHT (kg) ВЕС ЗА ЕД.	BOX SIZE (m³) РАЗМЕР КОРОБ.
4423520	Ø20 x 1/2"	80	0,196	0,022
4423525	Ø25 x 3/4"	60	0,210	0,022



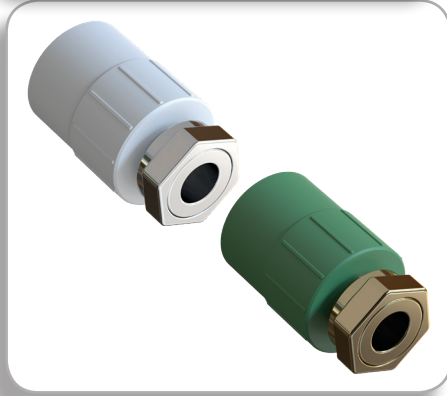
## PPR-C METAL KÜRESEL VANA PLASTİK FLANŞ BAĞ. METAL BALL VALVE WITH FLANGE

CODE КОД	SIZE (Ø) РАЗМЕР	1 BOX QUANTITY ЕД. В 1 КОРОБКЕ	WEIGHT (kg) ВЕС ЗА ЕД.	BOX SIZE (m³) РАЗМЕР КОРОБ.
4427420	Ø20 mm	-	0,232	0,022
4427425	Ø25 mm	50	0,378	0,022
4427432	Ø32 mm	40	0,492	0,022
4427440	Ø40 mm	-	0,848	0,022
4427450	Ø50 mm	-	1,200	0,022
4427463	Ø63 mm	-	1,600	0,022



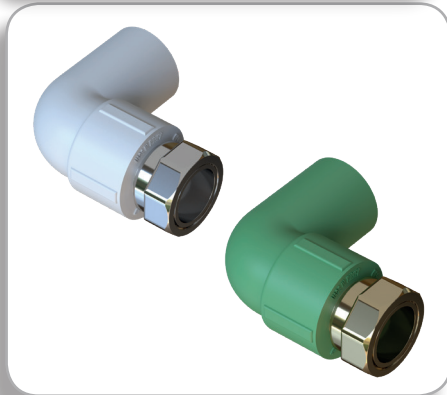
## PPR-C İÇ DİŞLİ İNEGAL T TEKLİ / ÇİFTLİ / FEMALE REDUCTION TEE PIECE / DOUBLE / ТРОЙНИК ПЕРЕХОДНОЙ ВН.Р.

CODE КОД	SIZE (Ø) РАЗМЕР	1 BOX QUANTITY ЕД. В 1 КОРОБКЕ	WEIGHT (kg) ВЕС ЗА ЕД.	BOX SIZE (m <sup>3</sup> ) РАЗМЕР КОРОБ.
4424240	Ø40x3/4x40 mm	-	0,360	0,032
4424340			0,393	
4424250	Ø50x3/4x50 mm	-	0,310	0,032
4424350			0,338	
4424263	Ø63x3/4x63 mm	-	0,245	0,032
4424363			0,272	



## PPR-C HAKAKETLİ REKOR / ADAPTER WITH LOOSE NUT / МУФТА С НАКИДНОЙ ГАЙКОЙ

CODE КОД	SIZE (Ø) РАЗМЕР	1 BOX QUANTITY ЕД. В 1 КОРОБКЕ	WEIGHT (kg) ВЕС ЗА ЕД.	BOX SIZE (m <sup>3</sup> ) РАЗМЕР КОРОБ.
4424720	Ø20 x 1/2"	250	0,044	0,022
4424725	Ø25 x 3/4"	150	0,069	0,022
4424732	Ø32 x 1"	100	0,104	0,022



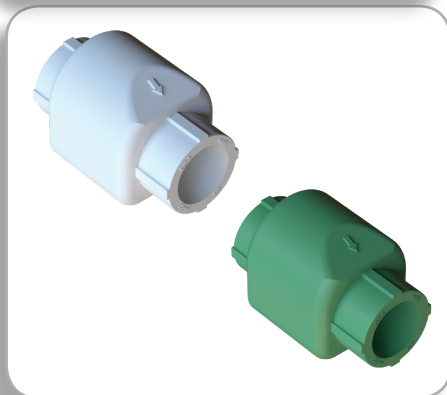
## PPR-C HAKAKETLİ DİRSEK / ELBOW WITH LOOSE NUT / УГОЛЬНИК С НАКИДНОЙ ГАЙКОЙ

CODE КОД	SIZE (Ø) РАЗМЕР	1 BOX QUANTITY ЕД. В 1 КОРОБКЕ	WEIGHT (kg) ВЕС ЗА ЕД.	BOX SIZE (m <sup>3</sup> ) РАЗМЕР КОРОБ.
4424820	Ø20 x 1/2"	250	0,054	0,022
4424825	Ø25 x 3/4"	150	0,083	0,022
4424832	Ø32 x 1"	100	0,110	0,022



## PPR-C FİLTRE / MALE FILTER / ФИЛЬТР

CODE КОД	SIZE (Ø) РАЗМЕР	1 BOX QUANTITY ЕД. В 1 КОРОБКЕ	WEIGHT (kg) ВЕС ЗА ЕД.	BOX SIZE (m <sup>3</sup> ) РАЗМЕР КОРОБ.
4425020	Ø20 x 1/2"	150	0,087	0,022
4425025	Ø25 x 3/4"	100	0,130	0,022



## PPR-C ÇEKVALF / CHECK VALVE / ОБРАТНЫЙ КЛАПАН

CODE КОД	SIZE (Ø) РАЗМЕР	1 BOX QUANTITY ЕД. В 1 КОРОБКЕ	WEIGHT (kg) ВЕС ЗА ЕД.	BOX SIZE (m <sup>3</sup> ) РАЗМЕР КОРОБ.
4426720	Ø20 mm	100	0,103	0,022
4426725	Ø25 mm	100	0,105	0,022
4426732	Ø32 mm	75	0,150	0,022



## PPR-C KOMBİ BAĞLANTI SETİ / BOILER CONNECTION SET / СЕТ ДЛЯ КОМБИ

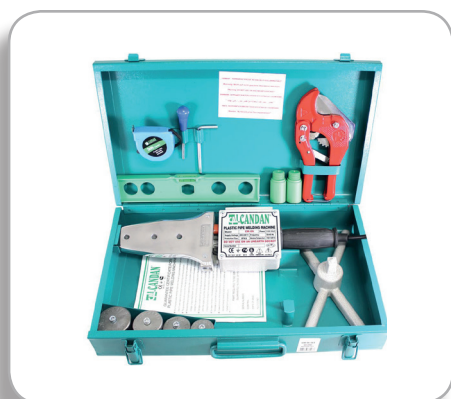
CODE КОД	SIZE (Ø) РАЗМЕР	1 BOX QUANTITY ЕД. В 1 КОРОБКЕ	WEIGHT (kg) ВЕС ЗА ЕД.	BOX SIZE (m <sup>3</sup> ) РАЗМЕР КОРОБ.
4425620	Ø20mm - 25mm	8	0,400	0,010
4425625	Ø25mm - 25mm	8	0,400	0,010

## PPR-C PIPE AND FITTINGS ACCESSORIES



## PPR-C KAYNAK RAFTASI / WELDING KIT НАСАДКА ДЛЯ СВАРОЧНОГО ОПАРАТА

CODE КОД	SIZE (Ø) РАЗМЕР	1 BOX QUANTITY ЕД. В 1 КОРОБКЕ	WEIGHT (kg) ВЕС ЗА ЕД.	BOX SIZE (m <sup>3</sup> ) РАЗМЕР КОРОБ.
6026316	Ø16 mm	1	-	0,001
6026320	Ø20 mm	1	-	0,001
6026325	Ø25 mm	1	-	0,001
6026332	Ø32 mm	1	-	0,001
6026340	Ø40 mm	1	-	0,001
6026350	Ø50 mm	1	-	0,001
6026363	Ø63 mm	1	-	0,001
6026375	Ø75 mm	1	-	0,001
6026390	Ø90 mm	1	-	0,001
6026311	Ø110 mm	1	-	0,001



## KAYNAK MAKİNESİ / WELDING MACHINE ЕСТ НАСОС С ЛАТУННЫМ ПОРШНЕМ

CODE КОД	SIZE (Ø) РАЗМЕР	1 BOX QUANTITY ЕД. В 1 КОРОБКЕ	WEIGHT (kg) ВЕС ЗА ЕД.	BOX SIZE (m <sup>3</sup> ) РАЗМЕР КОРОБ.
4423020	Ø20 - Ø40	1	4,5	0,021
4423022	Ø20 - Ø40	1	4,5	0,021
4423025	Ø50 - Ø75	1	4,5	0,021



## TEST POMPASI / TEST PUMP ТЕСТ НАСОС С ЛАТУННЫМ ПОРШНЕМ

CODE КОД	SIZE (Ø) РАЗМЕР	1 BOX QUANTITY ЕД. В 1 КОРОБКЕ	WEIGHT (kg) ВЕС ЗА ЕД.	BOX SIZE (m <sup>3</sup> ) РАЗМЕР КОРОБ.
6026420	60bar	1	7	0,021





## PPR-C KESME MAKASI / PIPE CUTTER НОЖНИЦА ДЛЯ РЕЗКИ ТРУБ

CODE КОД	SIZE (Ø) РАЗМЕР	1 BOX QUANTITY ЕД. В 1 КОРОБКЕ	WEIGHT (kg) ВЕС ЗА ЕД.	BOX SIZE (m <sup>3</sup> ) РАЗМЕР КОРОБ.
6026520	Ø16mm - 42mm	1	0,479	-
6026521	Ø20mm - 75mm	1	0,850	-



## LASTIKLİ TRİFONLU KELEPÇE / CLAMP WITH TRIPHONE ХОМУТ С ШПИЛЬКОЙ

CODE КОД	SIZE (Ø) РАЗМЕР	1 BOX QUANTITY ЕД. В 1 КОРОБКЕ	WEIGHT (kg) ВЕС ЗА ЕД.	BOX SIZE (m <sup>3</sup> ) РАЗМЕР КОРОБ.
60P1601	Ø3/8" (17-23)	400	0,046	0,026
60P1602	Ø1/2" (21-26)	400	0,049	0,026
60P1603	Ø3/4" (26-30)	350	0,062	0,026
60P1604	Ø1" (33-37)	300	0,077	0,026
60P1605	Ø1 1/4" (40-46)	200	0,082	0,026
60P1606	Ø1 1/2" (48-53)	175	0,088	0,026
60P1607	Ø2" (60-66)	125	0,090	0,026
60P1608	Ø2 1/2" (75-84)	100	0,188	0,026
60P1609	Ø3" (87-96)	90	0,220	0,026
60P1610	Ø3 1/2" (97-105)	75	0,220	0,026
60P1611	Ø4" (109-119)	60	0,250	0,026
60P1612	Ø5" (135-148)	40	0,300	0,026



## LASTIKLİ SOMUNLU KELEPÇE CLAMP WITH NUTS / ХОМУТ С ГАЙКОЙ

CODE КОД	SIZE (Ø) РАЗМЕР	1 BOX QUANTITY ЕД. В 1 КОРОБКЕ	WEIGHT (kg) ВЕС ЗА ЕД.	BOX SIZE (m <sup>3</sup> ) РАЗМЕР КОРОБ.
60P1701	Ø3/8" (17-23)	600	0,048	0,026
60P1702	Ø1/2" (21-26)	600	0,050	0,026
60P1703	Ø3/4" (26-30)	500	0,049	0,026
60P1704	Ø1" (33-37)	400	0,058	0,026
60P1705	Ø1 1/4" (40-46)	250	0,066	0,026
60P1706	Ø1 1/2" (48-53)	225	0,061	0,026
60P1707	Ø2" (60-66)	150	0,091	0,026
60P1708	Ø2 1/2" (75-84)	120	0,179	0,026
60P1709	Ø3" (87-96)	100	0,225	0,026
60P1710	Ø3 1/2" (97-105)	100	0,248	0,026
60P1711	Ø4" (109-119)	100	0,267	0,026
60P1712	Ø4 1/2" (121-127)	100	0,296	0,026
60P1713	Ø5" (135-148)	75	0,246	0,026
60P1714	Ø5 1/2" (151-164)	75	0,282	0,026
60P1715	Ø6" (158-170)	75	0,320	0,026
60P1716	Ø7" (194-205)	75	0,328	0,026
60P1717	Ø8" (214-225)	50	0,348	0,026
60P1718	Ø10" (270-276)	40	0,360	0,026



## LASTIKLİ SET KELEPÇE / CLAMP WITH SET ХОМУТ КОМПЛЕКТ

CODE КОД	SIZE (Ø) РАЗМЕР	1 BOX QUANTITY ЕД. В 1 КОРОБКЕ	WEIGHT (kg) ВЕС ЗА ЕД.	BOX SIZE (m³) РАЗМЕР КОРОБ.
60P1801	Ø3/8" (17-23)	400	0,048	0,026
60P1802	Ø1/2" (21-26)	400	0,050	0,026
60P1803	Ø3/4" (26-30)	350	0,049	0,026
60P1804	Ø1" (33-37)	250	0,058	0,026
60P1805	Ø1 1/4" (40-46)	200	0,066	0,026
60P1806	Ø1 1/2" (48-53)	200	0,061	0,026
60P1807	Ø2" (60-66)	150	0,099	0,026
60P1808	Ø2 1/2" (75-84)	120	0,179	0,026
60P1809	Ø3" (87-96)	100	0,225	0,026
60P1810	Ø3 1/2" (97-105)	100	0,248	0,026
60P1811	Ø4" (109-119)	100	0,267	0,026
60P1812	Ø4 1/2" (121-127)	50	0,296	0,026
60P1813	Ø5" (135-148)	40	0,246	0,026
60P1814	Ø5 1/2" (151-164)	30	-	0,026
60P1815	Ø6" (158-170)	30	-	0,026
60P1816	Ø7" (194-205)	30	-	0,026
60P1817	Ø8" (214-225)	25	-	0,026
60P1818	Ø10" (270-276)	25	-	0,026



## LASTIKLİ AĞIR YÜK KELEPÇESİ / WIDE HEAVY LOAD CLAMP / ХОМУТ ТЯЖЁЛОЙ НАГРУЗКИ

CODE КОД	SIZE (Ø) РАЗМЕР	1 BOX QUANTITY ЕД. В 1 КОРОБКЕ	WEIGHT (kg) ВЕС ЗА ЕД.	BOX SIZE (m³) РАЗМЕР КОРОБ.
60P1901	Ø1/2" (21-26)	100	-	0,026
60P1902	Ø3/4" (26-30)	100	-	0,026
60P1903	Ø1" (33-37)	100	-	0,026
60P1904	Ø1 1/4" (40-46)	100	-	0,026
60P1905	Ø1 1/2" (48-53)	100	-	0,026
60P1906	Ø2" (60-66)	80	-	0,026
60P1907	Ø2 1/2" (60-66)	50	-	0,026
60P1908	Ø3" (87-96)	50	-	0,026
60P1909	Ø4" (109-119)	50	-	0,026
60P1910	Ø5" (135-148)	25	-	0,026
60P1911	Ø6" (158-170)	25	-	0,026
60P1912	Ø8" (214-225)	25	-	0,026
60P1913	Ø10" (270-276)	20	-	0,026

# PVC PIPE AND FITTINGS



## PVC TİP-1 ATIK SU BORUSU / WASTE WATER PIPE / ТРУБА КАНАЛИЗАЦИОННАЯ

CODE КОД	SIZE (Ø) РАЗМЕР	1 BOX QUANTITY ЕД. В 1 КОРОБКЕ	WEIGHT (kg) ВЕС ЗА ЕД.
60BOR01	Ø50 / 1000 mm	5	0,826
60BOR02	Ø50 / 2000 mm	5	1,606
60BOR03	Ø50 / 3000 mm	5	2,386
60BOR04	Ø50 / 6000 mm	1	4,726
60BOR05	Ø75 / 500 mm	20	0,665
60BOR06	Ø75 / 1000 mm	5	1,240
60BOR07	Ø75 / 2000 mm	5	2,390
60BOR08	Ø75 / 3000 mm	5	3,540
60BOR09	Ø75 / 6000 mm	1	6,990
60BOR10	Ø110 / 150 mm	35	0,403
60BOR11	Ø110 / 250 mm	21	0,578
60BOR12	Ø110 / 500 mm	10	1,016
60BOR13	Ø110 / 1000 mm	3	1,891
60BOR14	Ø110 / 2000 mm	3	3,641
60BOR15	Ø110 / 3000 mm	3	5,391
60BOR16	Ø110 / 6000 mm	1	10,64
60BOR17	Ø160 / 1000 mm	1	3,409
60BOR18	Ø160 / 2000 mm	1	6,459
60BOR19	Ø160 / 3000 mm	1	9,509
60BOR20	Ø160 / 6000 mm	1	18,650



## PVC TİP-2 ATIK SU BORUSU / WASTE WATER PIPE TYPE-2 / ТРУБА КАНАЛИЗАЦИОННАЯ

CODE КОД	SIZE (Ø) РАЗМЕР	1 BOX QUANTITY ЕД. В 1 КОРОБКЕ	WEIGHT (kg) ВЕС ЗА ЕД.
60B0201	Ø50 / 1000 mm	5	0,826
60B0202	Ø50 / 2000 mm	5	1,606
60B0203	Ø50 / 3000 mm	5	2,386
60B0204	Ø50 / 6000 mm	1	4,726
60B0205	Ø75 / 500 mm	20	0,665
60B0206	Ø75 / 1000 mm	5	1,240
60B0207	Ø75 / 2000 mm	5	2,390
60B0208	Ø75 / 3000 mm	5	3,540
60B0209	Ø75 / 6000 mm	1	6,990
60B0210	Ø110 / 150 mm	35	0,403
60B0211	Ø110 / 250 mm	21	0,578
60B0212	Ø110 / 500 mm	10	1,016
60B0213	Ø110 / 1000 mm	3	1,891
60B0214	Ø110 / 2000 mm	3	3,641
60B0215	Ø110 / 3000 mm	3	5,391
60B0216	Ø110 / 6000 mm	1	10,64
60B0217	Ø160 / 1000 mm	1	3,409
60B0218	Ø160 / 2000 mm	1	6,459
60B0219	Ø160 / 3000 mm	1	9,509
60B0220	Ø160 / 6000 mm	1	18,650

## PVC (45°) DİRSEK / ELBOW / УГОЛЬНИК



CODE КОД	SIZE (Ø) РАЗМЕР	1 BOX QUANTITY ЕД. В 1 КОРОБКЕ	WEIGHT (kg) ВЕС ЗА ЕД.
60D4501	45° Ø50mm	200	0,088
60D4502	45° Ø75mm	100	0,159
60D4503	45° Ø110mm	35	0,292
60D4504	45° Ø125mm	20	0,390
60D4505	45° Ø160mm	15	0,633
60D4506	45° Ø200mm	5	1,171
60D4507	45° Ø250mm	3	2,280

## PVC (90°) DİRSEK / ELBOW / УГОЛЬНИК



CODE КОД	SIZE (Ø) РАЗМЕР	1 BOX QUANTITY ЕД. В 1 КОРОБКЕ	WEIGHT (kg) ВЕС ЗА ЕД.
60D8701	87° Ø50mm	200	0,108
60D8702	87° Ø75mm	75	0,184
60D8703	87° Ø110mm	30	0,350
60D8704	45° Ø125mm	18	0,452
60D8705	87° Ø160mm	10	0,802
60D8706	45° Ø200mm	4	1,572
60D8707	45° Ø250mm	2	3,070

## PVC (45°) TEK ÇATAL / BRANCH / ТРОЙНИК



CODE КОД	SIZE (Ø) РАЗМЕР	1 BOX QUANTITY ЕД. В 1 КОРОБКЕ	WEIGHT (kg) ВЕС ЗА ЕД.
60T4501	45° / Ø50 / Ø50 mm	100	0,170
60T4502	45° / Ø75 / Ø50 mm	50	0,233
60T4503	45° / Ø75 / Ø75 mm	45	0,320
60T4504	45° / Ø110 / Ø50 mm	20	0,394
60T4505	45° / Ø110 / Ø75 mm	15	0,479
60T4506	45° / Ø110 / Ø110 mm	15	0,637
60T4507	45° / Ø125 / Ø125 mm	12	0,835
60T4508	45° / Ø160 / Ø110 mm	5	1,117
60T4509	45° / Ø160 / Ø125 mm	10	1,256
60T4510	45° / Ø160 / Ø160 mm	4	1,681
60T4511	45° / Ø200 / Ø110 mm	5	1,610
60T4512	45° / Ø200 / Ø160 mm	4	1,992
60T4513	45° / Ø200 / Ø200 mm	2	2,586

## PVC (90°) TEK ÇATAL / BRANCH / ТРОЙНИК



CODE КОД	SIZE (Ø) РАЗМЕР	1 BOX QUANTITY ЕД. В 1 КОРОБКЕ	WEIGHT (kg) ВЕС ЗА ЕД.
60T8701	87° / Ø50 / Ø50 mm	100	0,137
60T8702	87° / Ø75 / Ø50 mm	50	0,219
60T8703	87° / Ø110 / Ø75 mm	20	0,406
60T8704	87° / Ø110 / Ø50 mm	25	0,341
60T8705	87° / Ø110 / Ø75 mm	20	0,406
60T8706	87° / Ø110 / Ø110 mm	16	0,505
60T8707	87° / Ø125 / Ø125 mm	16	0,710
60T8708	87° / Ø160 / Ø110 mm	6	0,984
60T8709	87° / Ø160 / Ø125 mm	6	1,008
60T8710	87° / Ø160 / Ø160 mm	6	1,117
60T8711	87° / Ø200 / Ø110 mm	6	1,426
60T8712	87° / Ø200 / Ø160 mm	4	1,584
60T8713	87° / Ø200 / Ø200 mm	4	2,009





## PVC (45°) ÇİFT ÇATAL / DUBLE BRANCH / КРЕСТОВИНА

CODE КОД	SIZE (Ø) РАЗМЕР	1 BOX QUANTITY ЕД. В 1 КОРОБКЕ	WEIGHT (kg) ВЕС ЗА ЕД.
60DT451	45° / Ø50 / Ø50 mm	70	0,233
60DT452	45° / Ø75 / Ø50 mm	50	0,308
60DT453	45° / Ø75 / Ø75 mm	30	0,443
60DT454	45° / Ø110 / Ø50 mm	20	0,431
60DT455	45° / Ø110 / Ø75 mm	15	0,558
60DT456	45° / Ø110 / Ø110 mm	10	0,773
60DT457	45° / Ø125 / Ø125 mm	5	1,072



## PVC (90°) ÇİFT ÇATAL / DUBLE BRANCH / КРЕСТОВИНА

CODE КОД	SIZE (Ø) РАЗМЕР	1 BOX QUANTITY ЕД. В 1 КОРОБКЕ	WEIGHT (kg) ВЕС ЗА ЕД.
60DT871	87° / Ø50 / Ø50 mm	70	0,192
60DT872	87° / Ø75 / Ø50 mm	50	0,262
60DT873	87° / Ø75 / Ø75 mm	30	0,330
60DT874	87° / Ø110 / Ø50 mm	20	0,358
60DT875	87° / Ø110 / Ø75 mm	15	0,474
60DT876	87° / Ø110 / Ø110 mm	10	0,604
60DT877	87° / Ø125 / Ø125 mm	5	0,716



## PVC KAYAR MANŞON / SLIDING SOCKET / МУФТА СОЕДИНИТЕЛЬНАЯ

CODE КОД	SIZE (Ø) РАЗМЕР	1 BOX QUANTITY ЕД. В 1 КОРОБКЕ	WEIGHT (kg) ВЕС ЗА ЕД.
60MAN01	Ø50 mm	200	0,102
60MAN02	Ø75 mm	100	0,159
60MAN03	Ø110 mm	35	0,288
60MAN04	Ø125 mm	30	0,373
60MAN05	Ø160 mm	15	0,568
60MAN06	Ø200 mm	8	1,095
60MAN07	Ø250 mm	4	2,379



## PVC REDÜKSİYON / REDUCTION / РЕДУКТОР

CODE КОД	SIZE (Ø) РАЗМЕР	1 BOX QUANTITY ЕД. В 1 КОРОБКЕ	WEIGHT (kg) ВЕС ЗА ЕД.
60RED01	Ø50 / Ø50 mm	150	0,114
60RED02	Ø110 / Ø50 mm	50	0,176
60RED03	Ø110 / Ø75 mm	70	0,202
60RED04	Ø125 / Ø75 mm	30	0,264
60RED05	Ø125 / Ø110 mm	30	0,264
60RED06	Ø160 / Ø75 mm	10	0,622
60RED07	Ø160 / Ø110 mm	20	0,516
60RED08	Ø160 / Ø125 mm	20	0,516
60RED09	Ø200 / Ø110 mm	10	0,622
60RED10	Ø200 / Ø125 mm	10	0,820
60RED11	Ø200 / Ø160 mm	10	0,729
60RED12	Ø250 / Ø160 mm	10	1,196

**PVC MUF TAPASI / END CAP / ЗАГЛУШКА**


CODE КОД	SIZE (Ø) РАЗМЕР	1 BOX QUANTITY ЕД. В 1 КОРОБКЕ	WEIGHT (kg) ВЕС ЗА ЕД.
60КАР01	Ø50 mm	200	500
60КАР02	Ø75 mm	100	400
60КАР03	Ø110 mm	35	150
60КАР04	Ø125 mm	30	100
60КАР05	Ø160 mm	15	80

**PVC TEMİZLEME / CLEANING / РЕВИЗИЯ**


CODE КОД	SIZE (Ø) РАЗМЕР	1 BOX QUANTITY ЕД. В 1 КОРОБКЕ	WEIGHT (kg) ВЕС ЗА ЕД.
60ТЕМ01	Ø110 mm	16	0,571
60ТЕМ02	Ø125 mm	16	0,740
60ТЕМ03	Ø160 mm	6	1,222
60ТЕМ04	Ø200 mm	4	1,901

**PVC (45°) SIFON S / SIPHON ES / СИФОН S**


CODE КОД	SIZE (Ø) РАЗМЕР	1 BOX QUANTITY ЕД. В 1 КОРОБКЕ	WEIGHT (kg) ВЕС ЗА ЕД.
60РЕS02	45°Ø110/Ø110 mm	10	0,815

**PVC (90°) SIFON S / SIPHON ES / СИФОН S**


CODE КОД	SIZE (Ø) РАЗМЕР	1 BOX QUANTITY ЕД. В 1 КОРОБКЕ	WEIGHT (kg) ВЕС ЗА ЕД.
60РЕS03	87°Ø110/ Ø110 mm	10	0,815

**PVC ÇEKVALF / CHECK VALVE / ОБРАТНЫЙ КЛАПАН**


CODE КОД	SIZE (Ø) РАЗМЕР	1 BOX QUANTITY ЕД. В 1 КОРОБКЕ	WEIGHT (kg) ВЕС ЗА ЕД.
60СЕК01	Ø110 mm	1	1,048
60СЕК02	Ø125 mm	1	1,049
60СЕК03	Ø160 mm	1	1,047
60СЕК04	Ø200 mm	1	3,518



**(180°) AYARLI TELLİ KADA / FLEXIBLE FOLDABLE TRAPE / СИФОН ДЛЯ УНИТАЗА**

CODE КОД	SIZE (Ø) РАЗМЕР	1 BOX QUANTITY ЕД. В 1 КОРОБКЕ	WEIGHT (kg) ВЕС ЗА ЕД.
60KAD01	180° Ø110mm	30	0,399



**(90°) AYARLI TELLİ KADA DİRSEK / FLEXIBLE FOLDABLE TRAPE / СИФОН ДЛЯ УНИТАЗА**

CODE КОД	SIZE (Ø) РАЗМЕР	1 BOX QUANTITY ЕД. В 1 КОРОБКЕ	WEIGHT (kg) ВЕС ЗА ЕД.
60KAD02	90° Ø110mm	20	0,395



**DÜZ UZATMALI KADA CONTALI  
CONNECTS TRAP WC ELASTIC  
ДЛИННЫЙ ДОПОЛНИТЕЛЬНЫЙ СИФОН С РЕЗИНОЙ**

CODE КОД	SIZE (Ø) РАЗМЕР	1 BOX QUANTITY ЕД. В 1 КОРОБКЕ	WEIGHT (kg) ВЕС ЗА ЕД.
60KAD03	Ø110mm	30	0,318



**EKSANTRİK DÜZ KADA  
OFFSET RIGID WC CONNECTOR STRAIGHT  
ПРЯМОЙ ДОПОЛНИТЕЛЬНЫЙ СИФОН**

CODE КОД	SIZE (Ø) РАЗМЕР	1 BOX QUANTITY ЕД. В 1 КОРОБКЕ	WEIGHT (kg) ВЕС ЗА ЕД.
60KAD05	Ø110mm	40	0,242



**(20mm) EKSANTRİK KADA / OFFSET RIGID WC CONNECTOR  
ДОПОЛНИТЕЛЬНЫЙ СИФОН**

CODE КОД	SIZE (Ø) РАЗМЕР	1 BOX QUANTITY ЕД. В 1 КОРОБКЕ	WEIGHT (kg) ВЕС ЗА ЕД.
60KAD06	Ø110mm	40	0,264



**(40mm) EKSANTRİK KADA / OFFSET RIGID WC  
CONNECTOR / ДОПОЛНИТЕЛЬНЫЙ СИФОН**

CODE КОД	SIZE (Ø) РАЗМЕР	1 BOX QUANTITY ЕД. В 1 КОРОБКЕ	WEIGHT (kg) ВЕС ЗА ЕД.
60KAD07	Ø110mm	30	0,274



**(60mm) EKSANTRİK KADA / OFFSET RIGID WC  
CONNECTOR / ДОПОЛНИТЕЛЬНЫЙ СИФОН**

CODE КОД	SIZE (Ø) РАЗМЕР	1 BOX QUANTITY ЕД. В 1 КОРОБКЕ	WEIGHT (kg) ВЕС ЗА ЕД.
60KAD08	Ø110mm	30	0,304



**RÖGAR ÇERÇEVE + KARAK / ROGAR FRAME + COVER  
РАМА + КРЫШКА ROGAR**

CODE КОД	SIZE (Ø) РАЗМЕР	1 BOX QUANTITY ЕД. В 1 КОРОБКЕ	WEIGHT (kg) ВЕС ЗА ЕД.
60RCK02	30x30mm	10	0,850
60RCK04	40x40mm	10	1,782
60RCK08	50x50mm	5	2,630
60RCK09	60x60mm	4	5,668



**RÖGAR KARAKLI KUTU / WINDOW LID BOX  
ОКНА КРЫШКИ**

CODE КОД	SIZE (Ø) РАЗМЕР	1 BOX QUANTITY ЕД. В 1 КОРОБКЕ	WEIGHT (kg) ВЕС ЗА ЕД.
60RGA25	25x25 mm	1	1,134
60RGA35	35x35 mm	1	2,738



**PEX BORU / PEX TIG PIPE  
ПЕХ ТРУБА**

CODE КОД	SIZE (Ø) РАЗМЕР	1 BOX QUANTITY ЕД. В 1 КОРОБКЕ	WEIGHT (kg) ВЕС ЗА ЕД.
60PEX01	Ø16mm-2.0mm	100 m	-
60PEX02	Ø20mm-2.0mm	100 m	-



**PEX OKSİJEN BARIYERLİ / PEX OXYGEN BARRIER  
ПЕХ КИСЛОРОДНЫЙ БАРЬЕР**

CODE КОД	SIZE (Ø) РАЗМЕР	1 BOX QUANTITY ЕД. В 1 КОРОБКЕ	WEIGHT (kg) ВЕС ЗА ЕД.
60PEX03	Ø16mm-2.0mm	100 m	-
60PEX04	Ø20mm-2.0mm	100 m	-



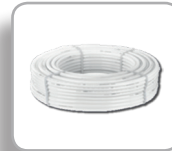
**PEX KILIFLI / PEX WITH COVER BLUE & RED  
ПЕХ С КРЫШКОЙ СИНИЙ И КРАСНЫЙ**

CODE КОД	SIZE (Ø) РАЗМЕР	1 BOX QUANTITY ЕД. В 1 КОРОБКЕ	WEIGHT (kg) ВЕС ЗА ЕД.
60PEX05	Ø16mm-2.0mm	100 m	-
60PEX06	Ø20mm-2.0mm	100 m	-



**PEX AL PEX BORU / AL PEX PIPE  
АЛ. ПЕХ ТРУБА**

CODE КОД	SIZE (Ø) РАЗМЕР	1 BOX QUANTITY ЕД. В 1 КОРОБКЕ	WEIGHT (kg) ВЕС ЗА ЕД.
60PEX07	Ø16mm-2.0mm	100 m	-
60PEX08	Ø20mm-2.0mm	100 m	-



**PERT BORU / PERT PIPE  
ПЕРТ ТРУБА**

CODE КОД	SIZE (Ø) РАЗМЕР	1 BOX QUANTITY ЕД. В 1 КОРОБКЕ	WEIGHT (kg) ВЕС ЗА ЕД.
60PERT09	Ø16mm-2.0mm	100 m	-
60PERT10	Ø20mm-2.0mm	100 m	-



**PERT OKSİJEN BARIYERLİ / PERT OXYGEN BARRIER  
ПЕРТ КИСЛОРОДНЫЙ БАРЬЕР**

CODE КОД	SIZE (Ø) РАЗМЕР	1 BOX QUANTITY ЕД. В 1 КОРОБКЕ	WEIGHT (kg) ВЕС ЗА ЕД.
60PERT11	Ø16mm-2.0mm	100 m	-
60PERT12	Ø20mm-2.0mm	100 m	-



**PERT KILIFLI / PERT WITH COVER BLUE & RED  
ПЕРТ С КРЫШКОЙ СИНИЙ И КРАСНЫЙ**

CODE КОД	SIZE (Ø) РАЗМЕР	1 BOX QUANTITY ЕД. В 1 КОРОБКЕ	WEIGHT (kg) ВЕС ЗА ЕД.
60PERT13	Ø16mm-2.0mm	100 m	-
60PERT14	Ø20mm-2.0mm	100 m	-



**ÇERÇEVELİ YUVARLAK DÜZ KARAK  
FRAME ROUND FLAT COVER  
РАМА КРУГЛАЯ ПЛОСКАЯ КРЫШКА**

CODE КОД	SIZE (Ø) РАЗМЕР	1 BOX QUANTITY ЕД. В 1 КОРОБКЕ	WEIGHT (kg) ВЕС ЗА ЕД.
60MBK36	Ø600 mm	1	2,607



**TAHARAT BAŞLIĞI + HORTUM  
COOLING HEAD + HOSE  
ОХЛАЖДАЮЩАЯ ГОЛОВКА + ШЛАНГ**

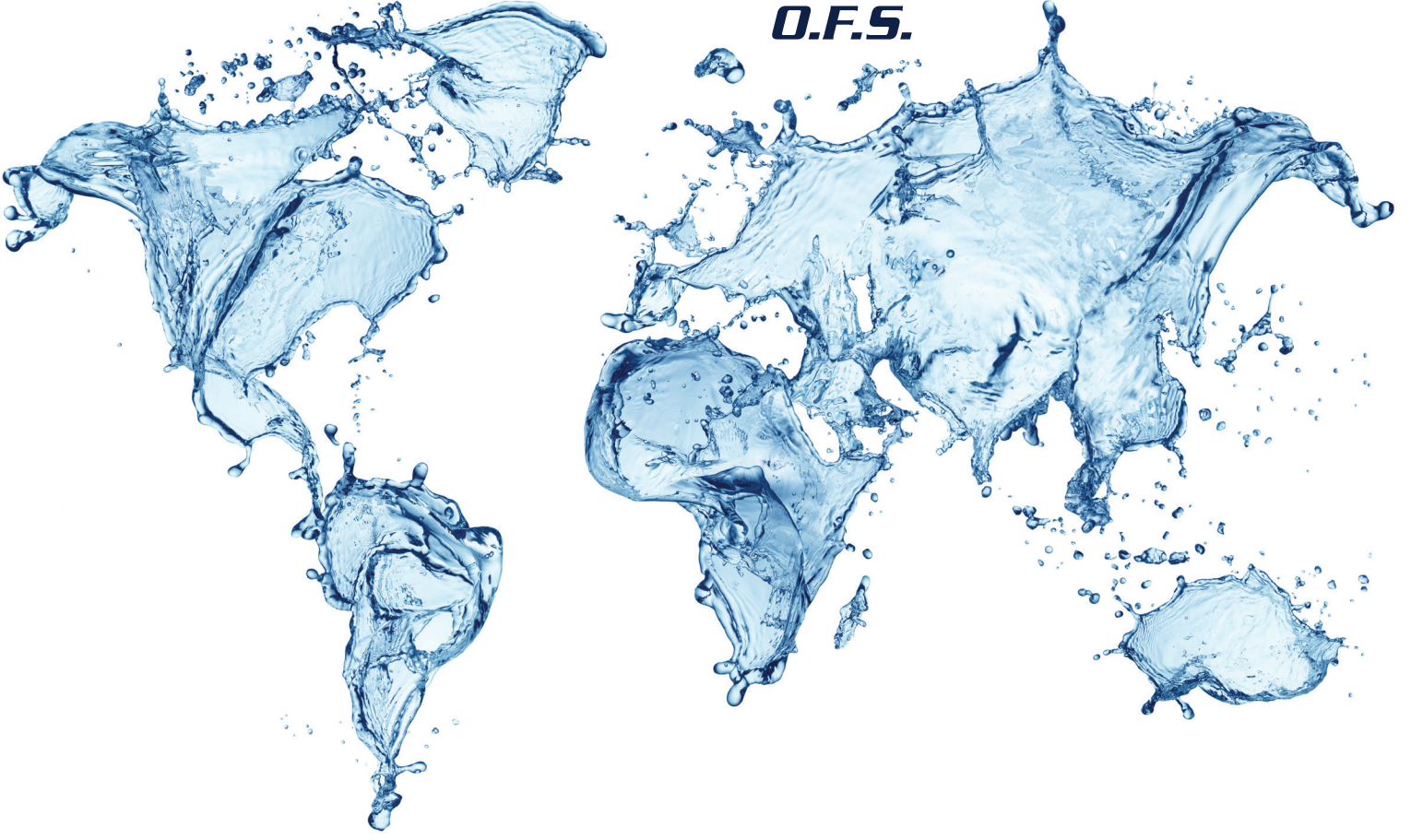
CODE КОД	SIZE (Ø) РАЗМЕР	1 BOX QUANTITY ЕД. В 1 КОРОБКЕ	WEIGHT (kg) ВЕС ЗА ЕД.
60TAH10	One Size	1	0,285
60TAH50	One Size	1	0,285

# NOTLAR / NOTES

A series of horizontal dotted lines for taking notes.



# **Onur® Plastik O.F.S.**



***“Türkiye'nin Onuru... Onur Plastik”  
50 Years Warranty***

***Tel: +90 212 580 20 80 & +90 212 59236 92***

***Fax: +90 212 592 36 93***

***E-mail: onurplastik@onurpipe.com***

***www.onurpipe.com***

